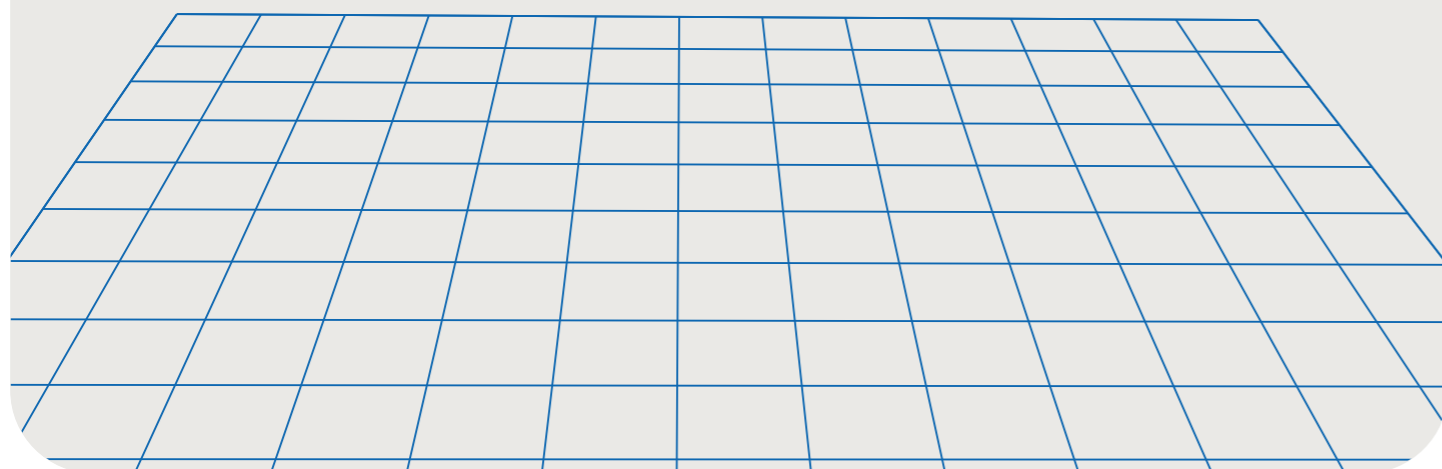
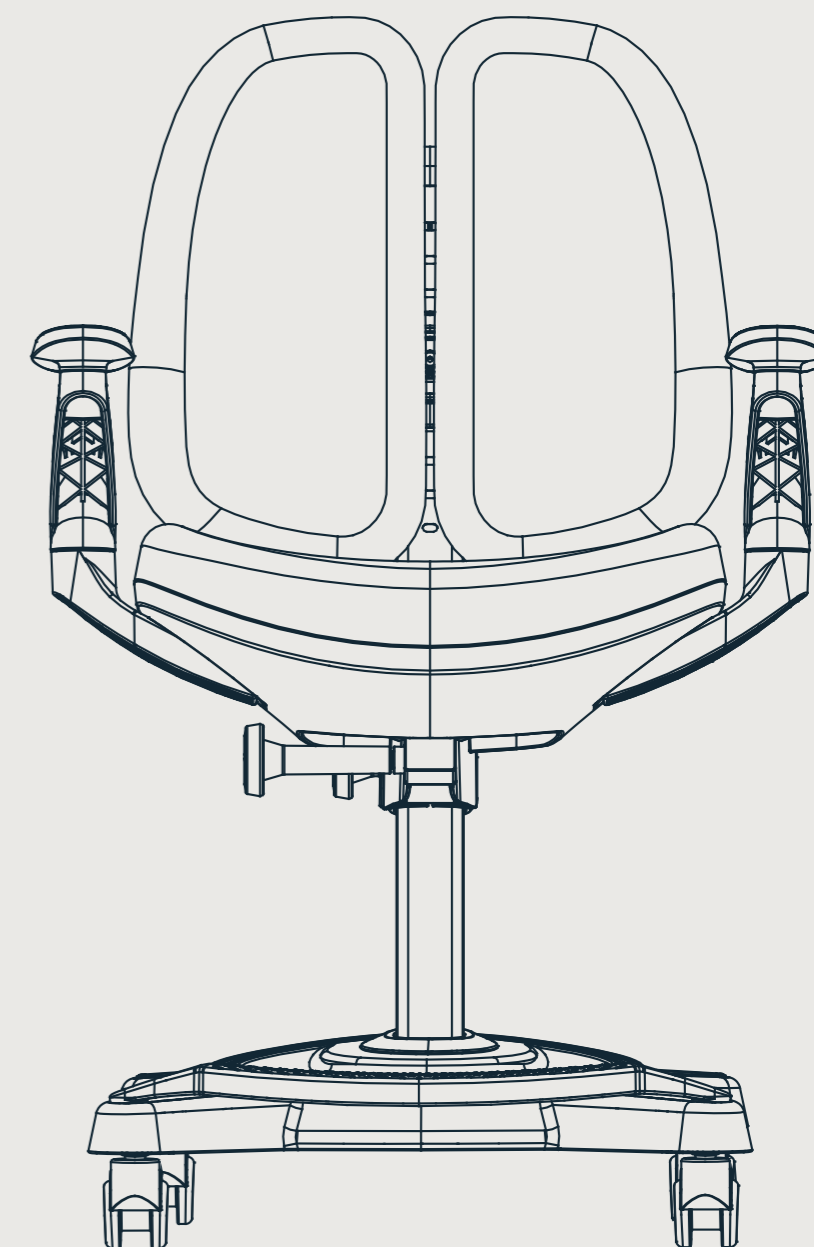


**New Working  
New Living**



# FlexiSpot

**Item No. SC04**  
User Manual



## Installation and debugging A Note! Only allow installation, keep children away!

1. Please read all the accessory installation instructions (pictures) carefully before installation, and master the installation steps and methods.
2. Check whether the accessories are complete and whether they are damaged
3. When installing, choose a spacious and clean place, and spread the papeground, so as to prevent the parts fr colliding with the ground during installation.
4. During installation, each installation operation must be completed and ended; ensure that the product structure is firm.
5. After installation, a soft flannel can be used to clear the dust on thehe furniture, and it is strictly forbidden to wipe the furniture with a rag with grit.

## Use and maintenance

1. Try to avoid long-term exposure to the whole or part of the furniture.
2. Do not use cleaning agents containing chemical substances to clean furnso avoid contact with corrosive liquids such as acids and alkalis.
3. Overweight items cannot be placed on the edge of the tabletop, otherwiscause the center of gravity to be uns or tilted, resulting in damage to the structure and function of the furnitor injury to the human body.
4. Do not use furniture as a ladder to stand, sit, step on, etc.
5. The furniture should be protected from water erosion when cleaning


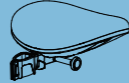

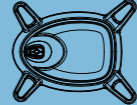
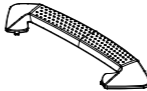
## Moving and storage





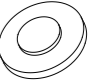
1. When moving the furniture, move it gently, and remember to push it hardoid loosening or breaking the tripod rollers.
2. When transporting, there should be an outer packaging, andle with care.n reinstalling, make appropriate adjustments after the furniture is placed to keep it in normal use.
3. When not in storage for a long time, it should be covered with dust-prorong light-proof packaging materials stored in a dry and ventilated indoor environment.

## Special Note

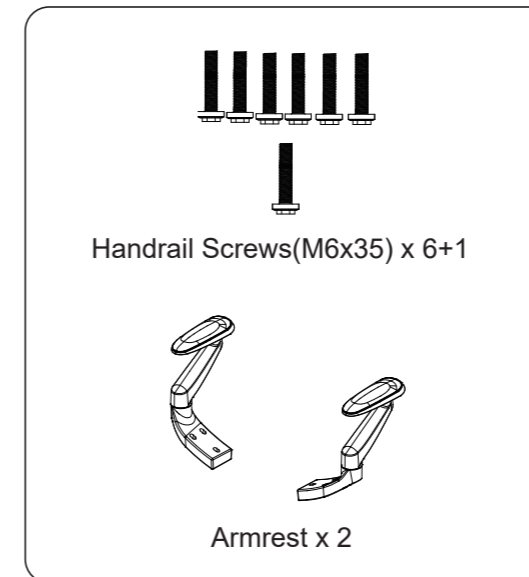
This note does not contain any position expressions or other hints, itis only used as a service guide. For this reason, our company reserves the right to modify the manual, and the content may be updattd at any time without further notice. If you need our company's latest products, you can call our company directly.

## Product List

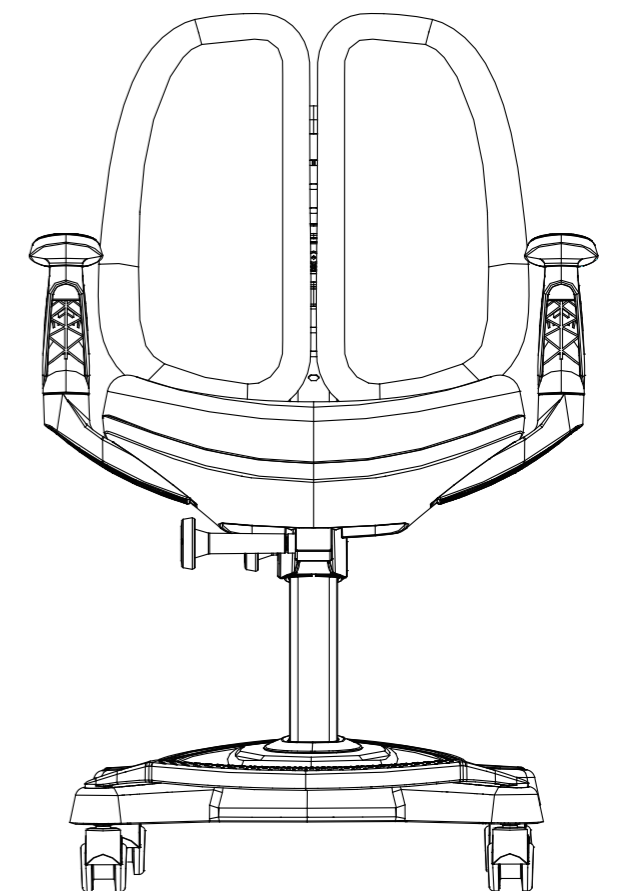
No.	Part	
①	Backrest x 1	
②	Cushion x 1	
③	Support Tube x 1	
④	Chair Feet x1	
⑤	Footrest x 1	

No.	Part	
⑥	Screws for Footrest x 5	
⑦	Combination Wrench x 1	
⑧	Wrench M4 x 1	
⑨	Screws(M6x45) x 1	
⑩	Gasket x1	

Note: If the purchased product does not contain armrests, the prooduct does not contain the following two accessories.



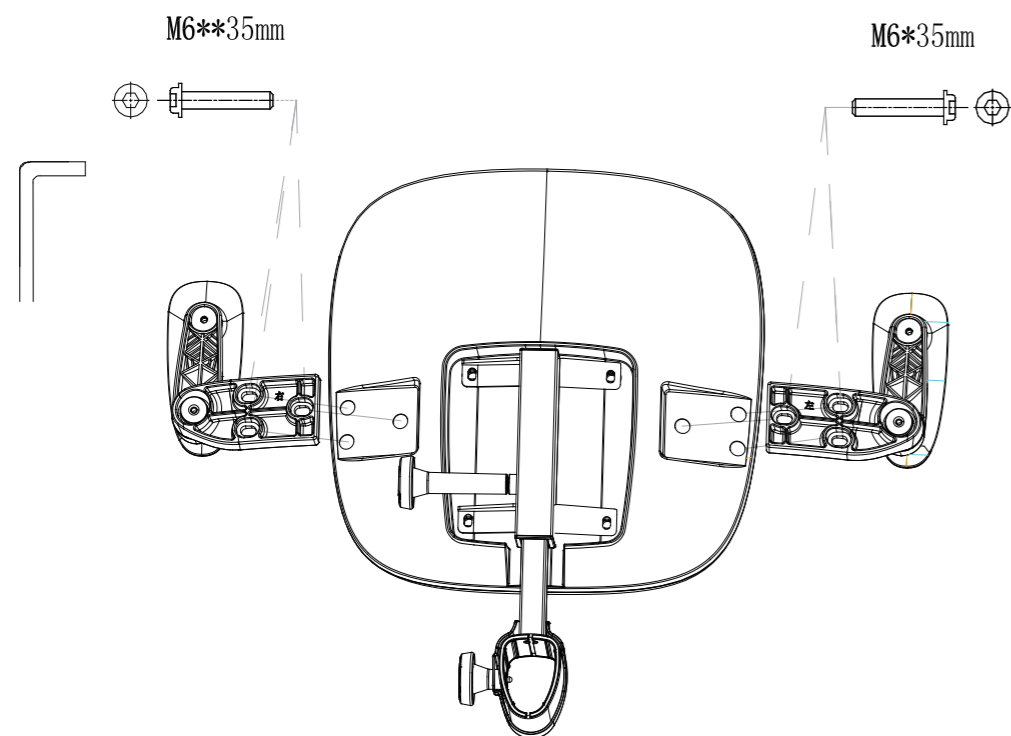
The above two accessories have been installed on the armrest support pipe,please remove them before use.



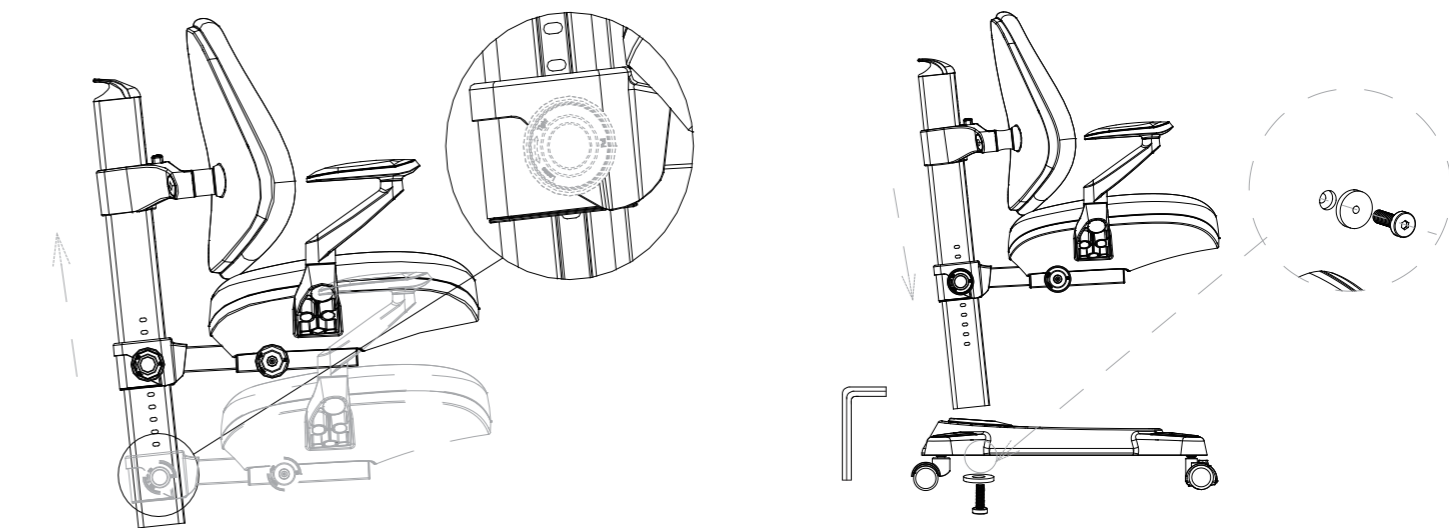
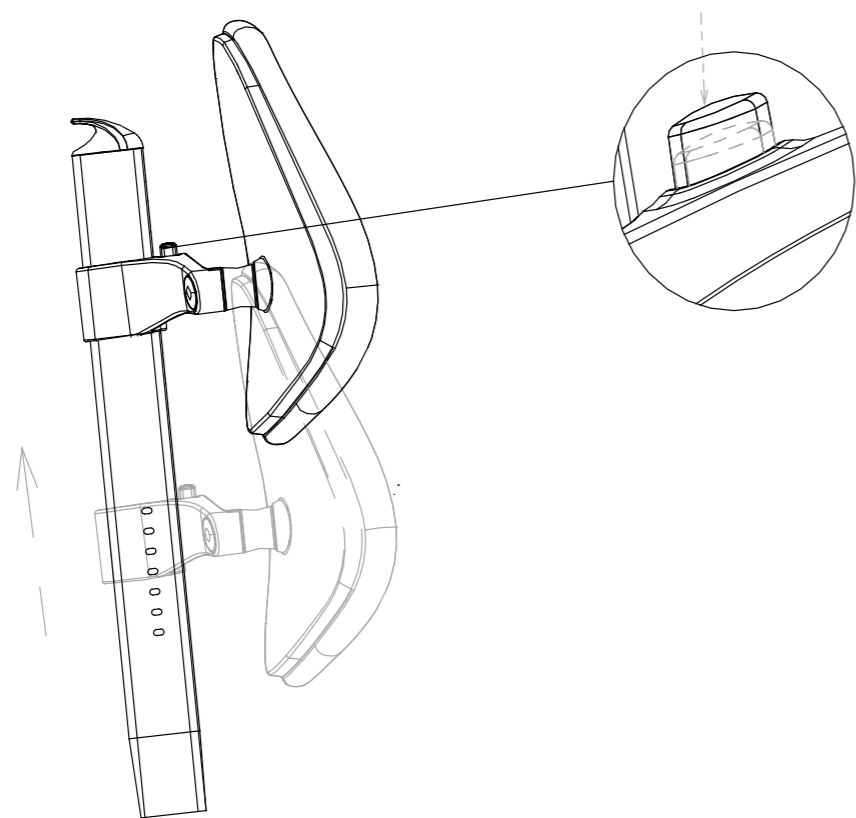
Assembly Drawing

# Installation Instruction (Subject to actual size)

1. Take out the left/right armrest and seat cushion from the packing box, and fix the armrest with 6 M6\*35MM screws.



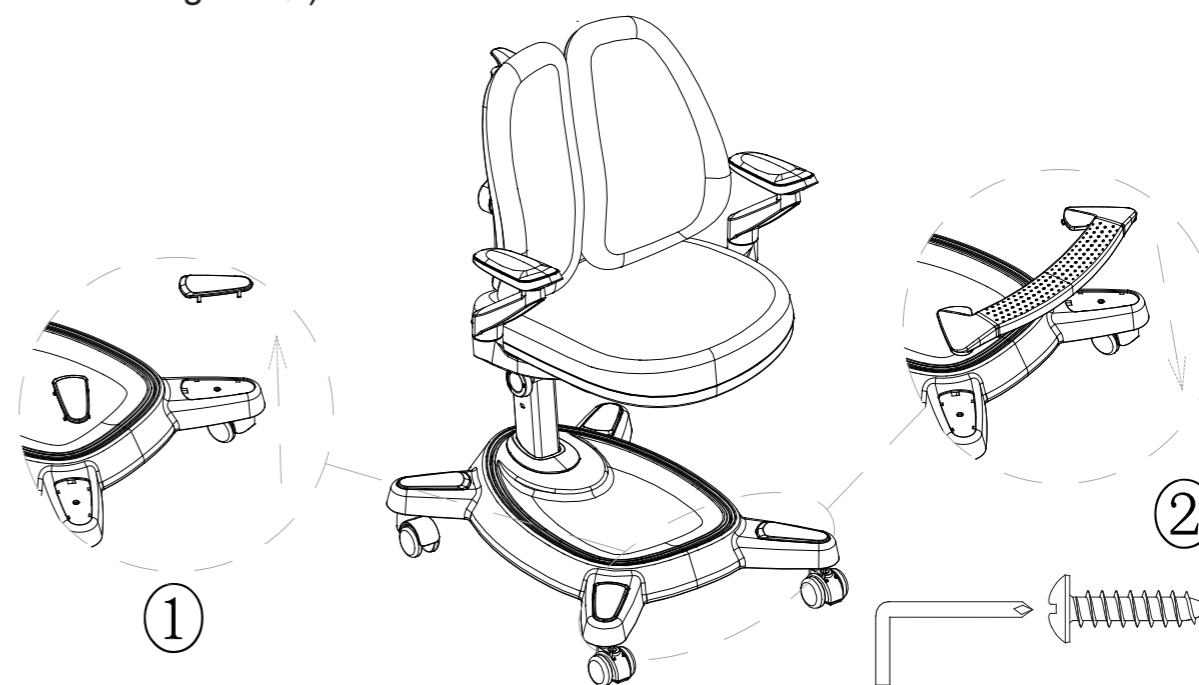
2. Press the button to assemble the seat back to the support tube.



3. Pull off the knob of the assembled seat cushion, then insert the seat cushion into the supporting tube rotating ferrule to fix.

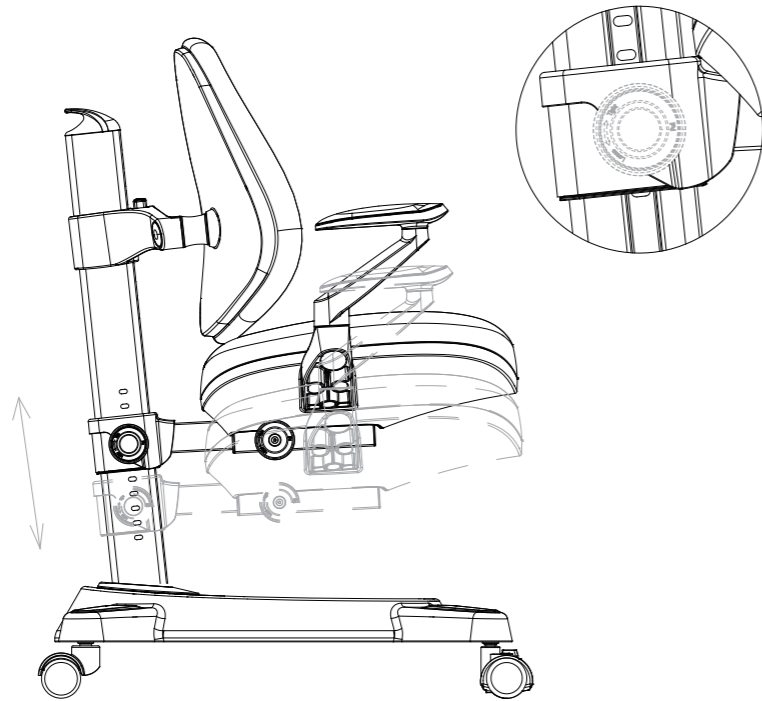
4. Insert the whole assembled thing into the holes on the plate of casters, then tighten them with M6\*45 screws.

5. If the footrest needs to be installed, first remove the decorative cover (as shown in Figure ①). Then, attach the footrest and secure it with 4 footrest fixing screws (as shown in Figure ②).

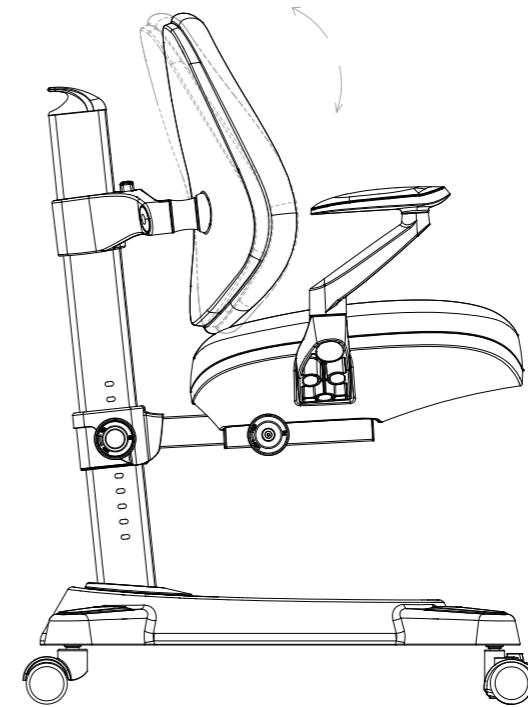


## Function Instruction (Subject to actual size)

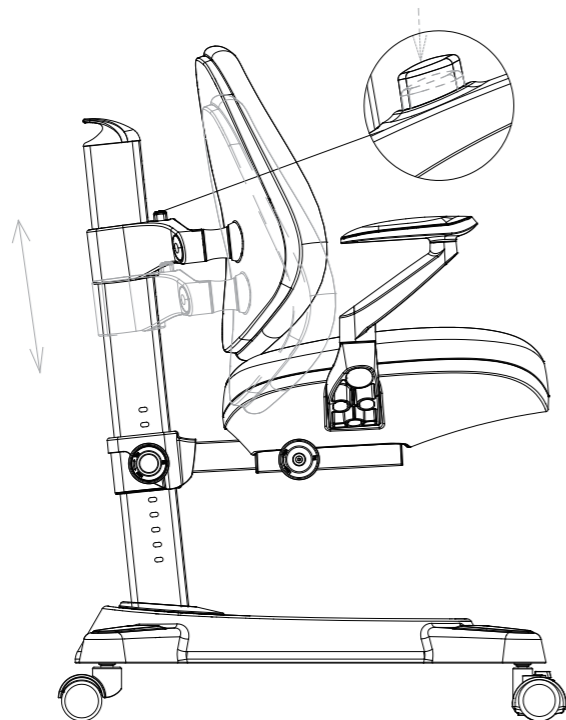
1. When the seat cushion height is not enough, turn on the seat cushion lift switch to adjust the height.



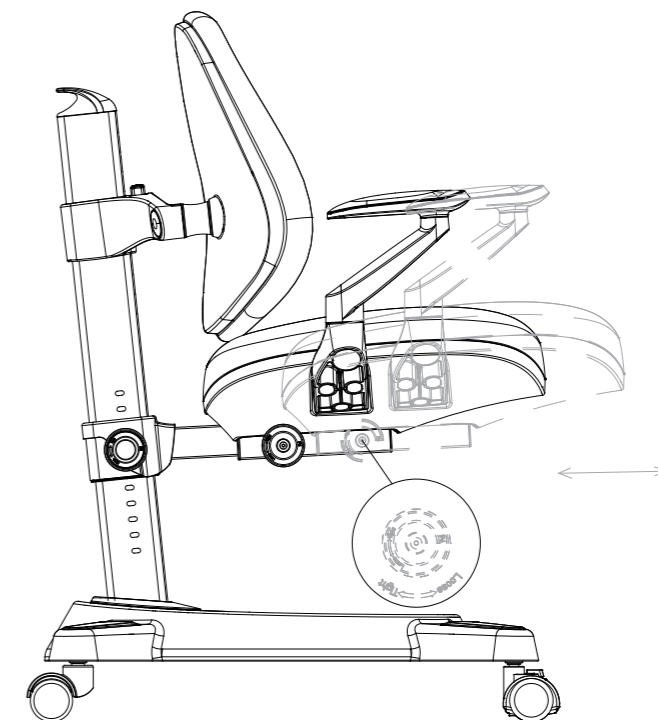
3. The backrest can be adjusted appropriately.



2. Press the button, the back can be adjusted up and down .

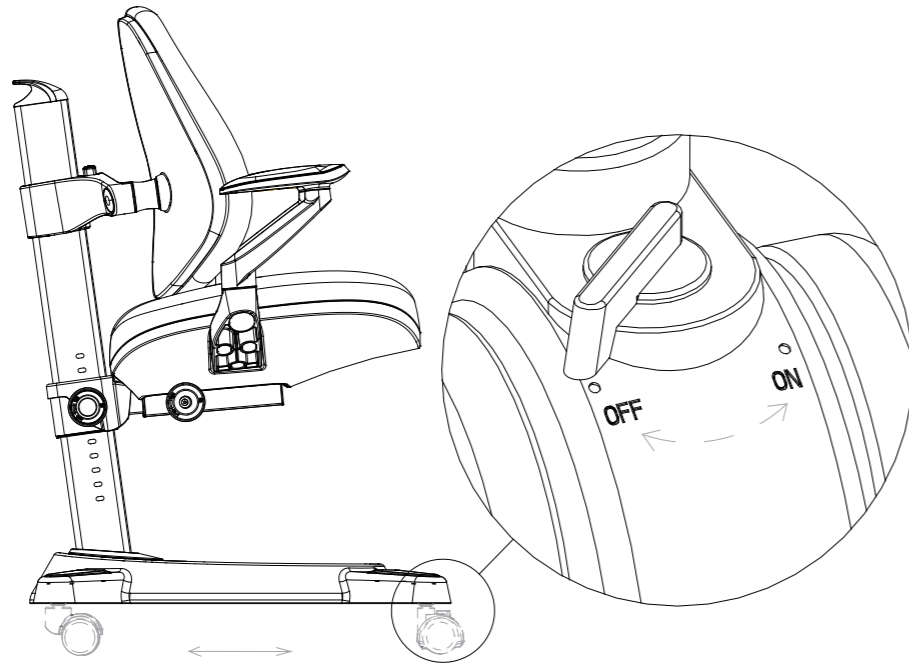


4. The seat cushion can be adjusted by sliding back and forth.



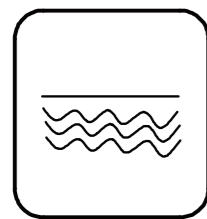
## Function Instruction (Subject to actual size)

5. When the switches above the two front caster wheels are turned to the 'OFF' position, the chair will lock in place under gravity effect and will not move.



## Precautions

(Read carefully the tips for safe use of the product, the pictures are for reference only, please refer to the actual product)



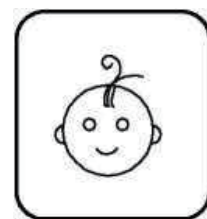
### Note!

Please put it on a flat ground when using



### Danger!

Watch out for your hands



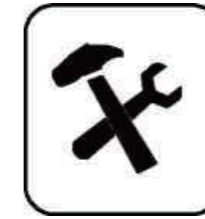
### Be wary!!

The product is suitable for 3-14 years old. Please do not let friends under 5 years old sit on the chair alone.



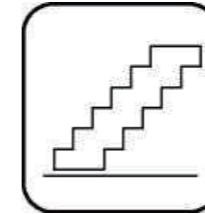
### Danger!

Do not jump on the seat cushion Do not sit on the armrests to prevent danger



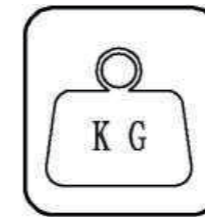
### Note!

Adult installation, keep children away



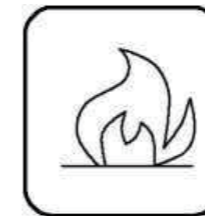
### Be wary!!

Don't use chairs as steps and  
The use of ladders is so dangerous!



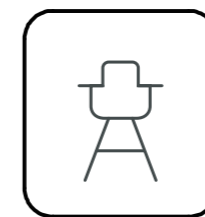
### Note!

Do not place heavy objects  
One chair is limited to one person



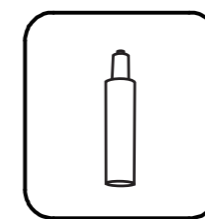
### Note!

Do not use sharp and hooked objects to scratch the surface of the chair and no open flames



### Be wary!!

Ensure the chair is securely fixed before use.



### Be wary!!

Do not attempt to repair or replace the gas lift by yourself.