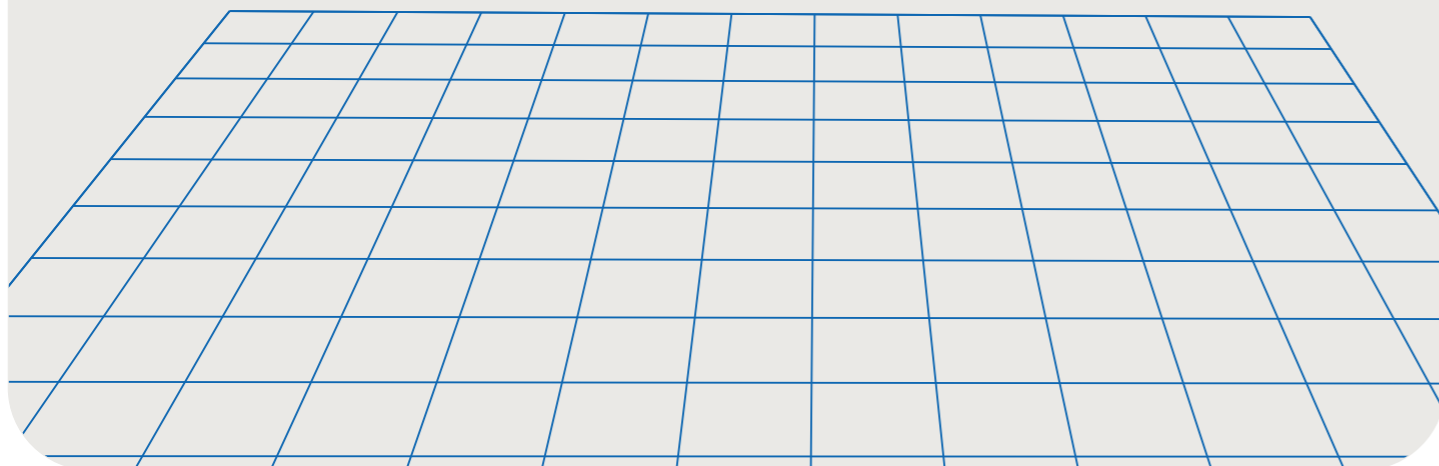
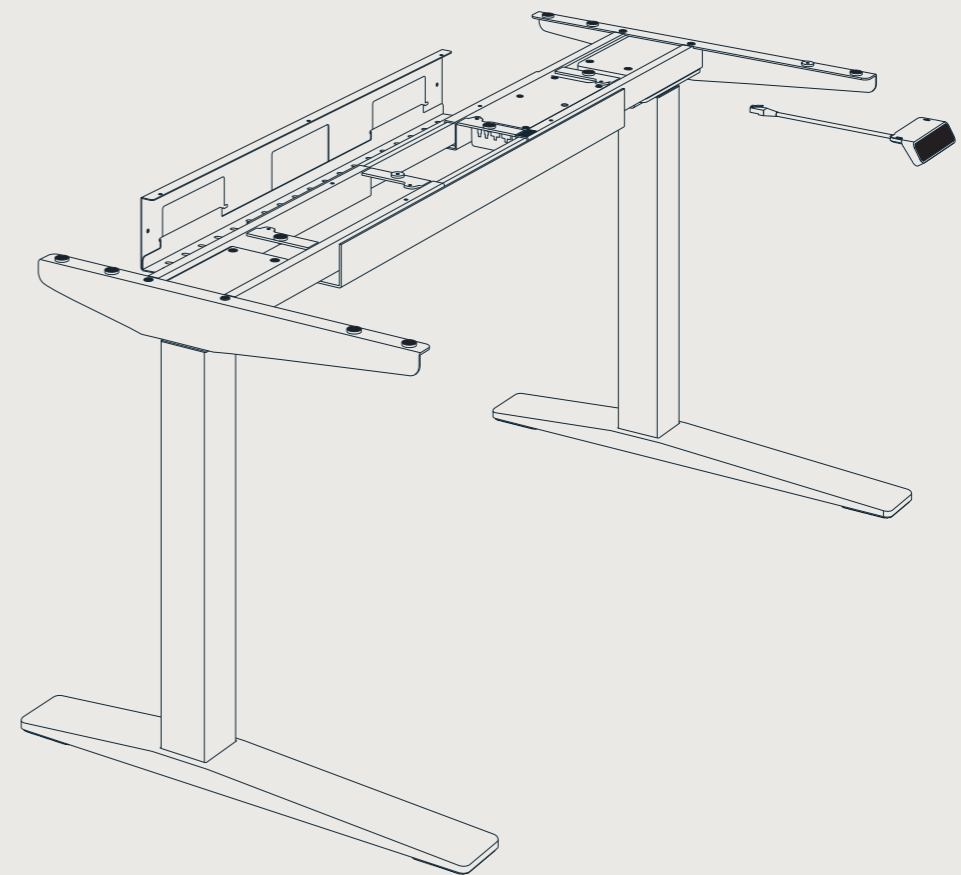


**Work  
like new**



# FlexiSpot

Item No. E7 Pro  
User Manual

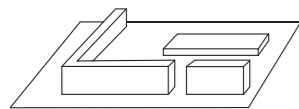




## Specifications

|                     |  |
|---------------------|--|
| Max. Static Load    | 440 lbs (200kg)                              |
| Max. Speed          | 1.5"/s                                       |
| Adjustable Height   | 25"-50.6" (635-1285mm)                       |
| Adjustable Width    | 43.3"-74.8" (1100-1900mm)                    |
| Working Temperature | 32°-104° F                                   |
| Duty Cycle          | 10% (Working 2 minutes then stop 18 minutes) |

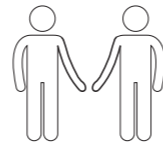
## Pre-installation Guide



Assemble on a foam to prevent scratch



Phillips screwdriver or drill required (not provided)



Get a friend for help

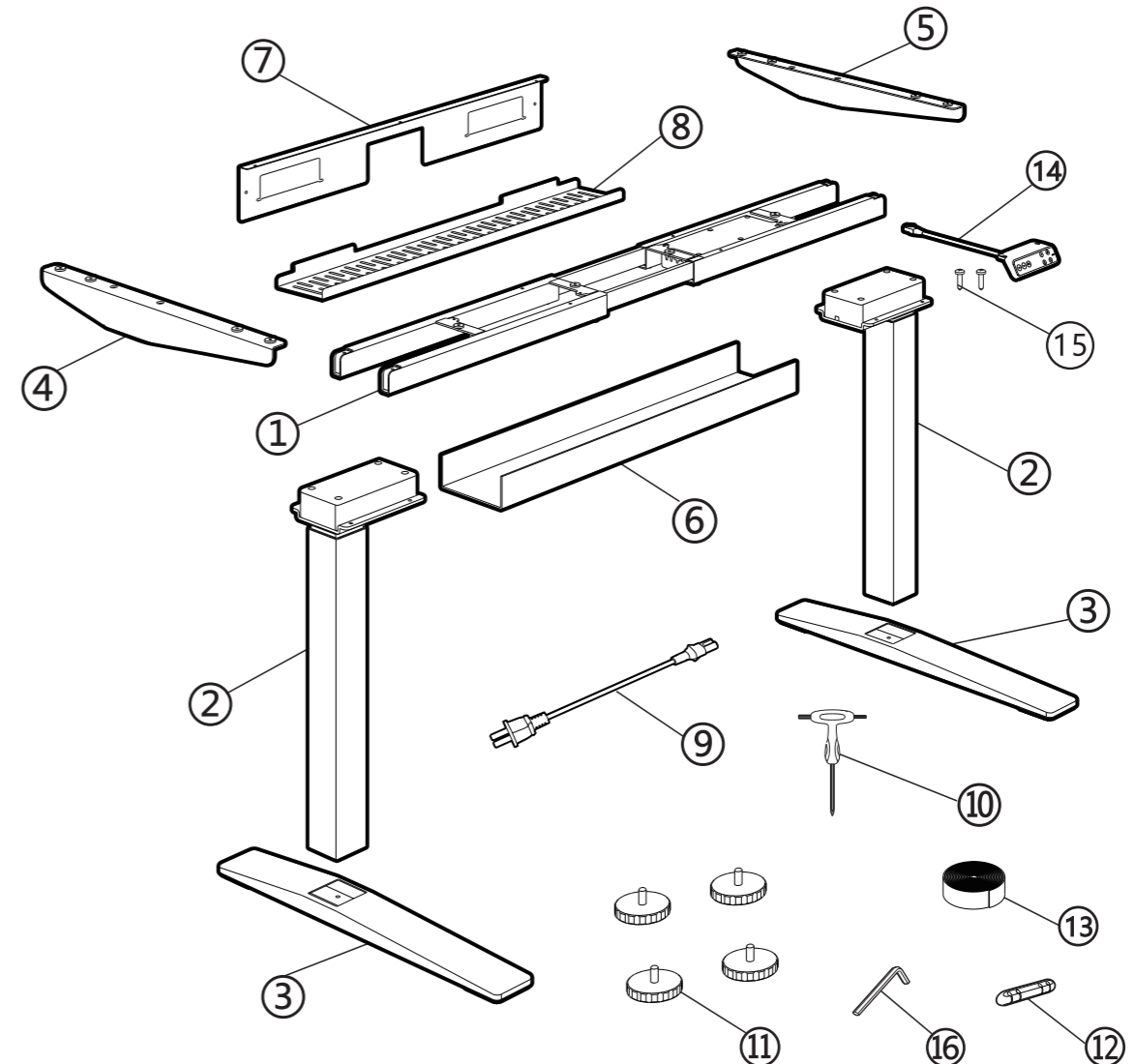
## Accessory Package

|     |     |     |     |      |
|-----|-----|-----|-----|------|
| Ax4 | Bx4 | Cx8 | Dx8 | Ex15 |
|     |     |     |     |      |

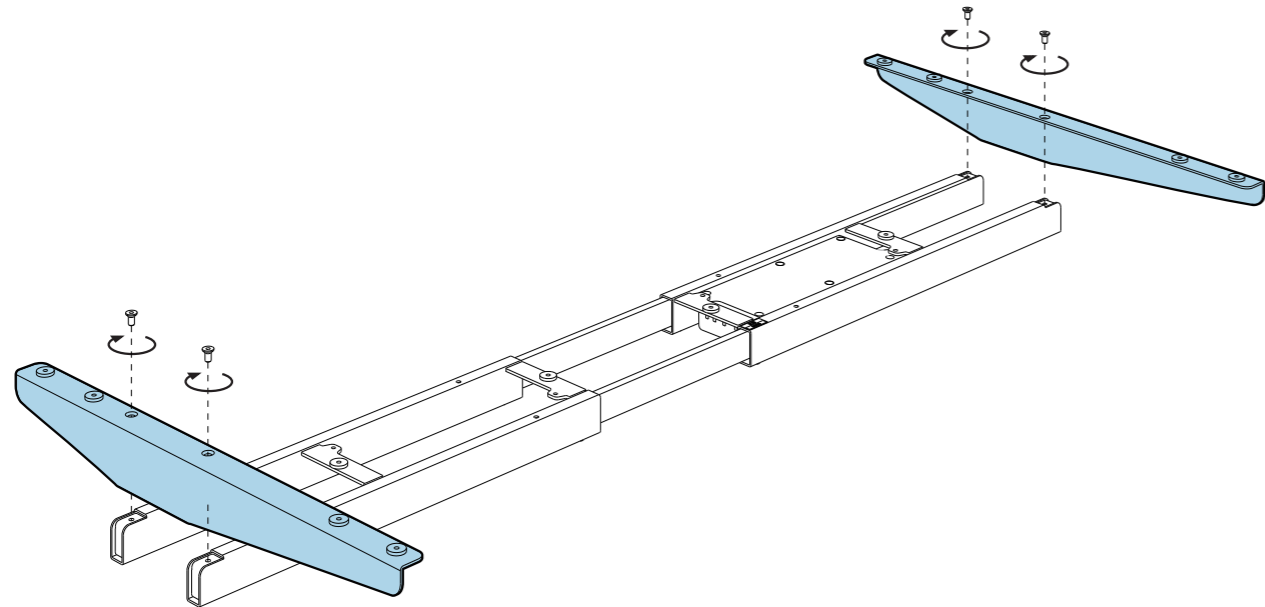


## Diagram of Components

| No. | Part                  | No. | Part             |
|-----|-----------------------|-----|------------------|
| ①   | Supporting beam x1    | ⑨   | Power plug x1    |
|     | Lifting column x2     | ⑩   | T-wrench x1      |
| ③   | Feet x2               | ⑪   | Feet pad x4      |
| ④   | Left side bracket x1  | ⑫   | Cable manager x1 |
| ⑤   | Right side bracket x1 | ⑬   | Velcro x1        |
| ⑥   | Cable tray x1         | ⑭   | Keypad x1        |
| ⑦   | Cable holder x1       | ⑮   | Keypad screw x2  |
| ⑧   | Cable tray x1         | ⑯   | 4x4 wrench x1    |

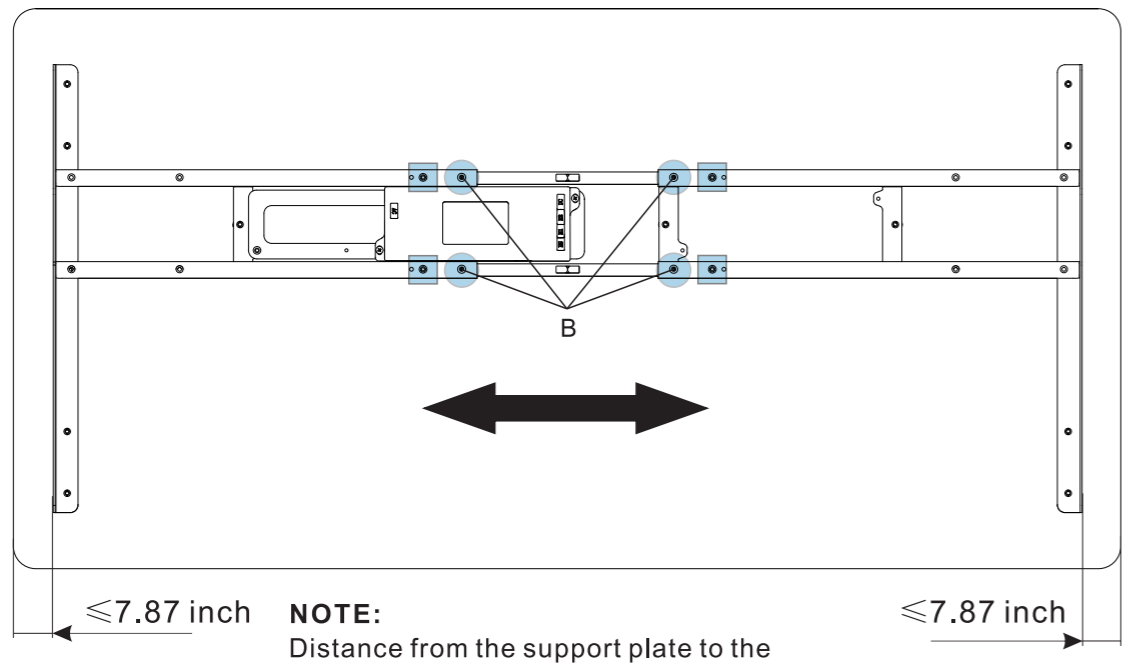


# 1 Attach the side brackets to the beam



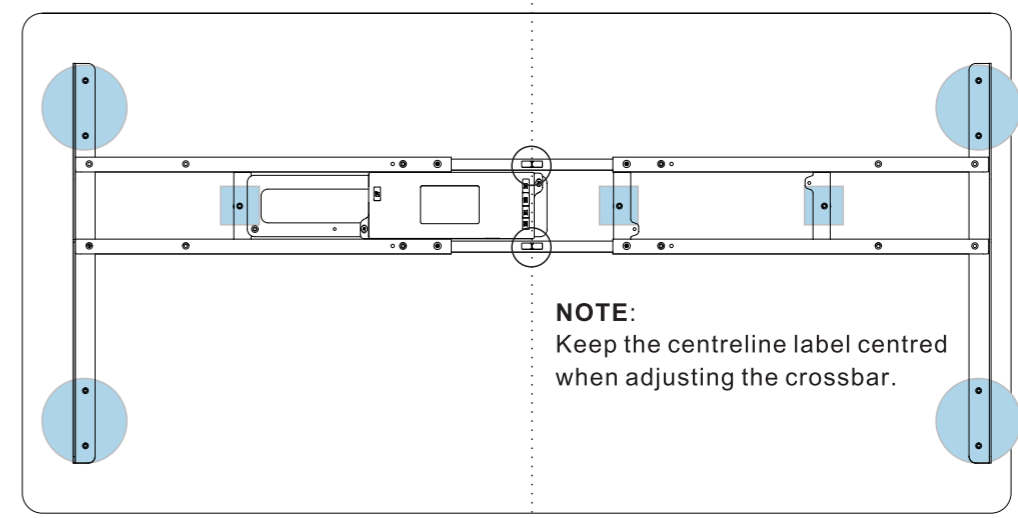
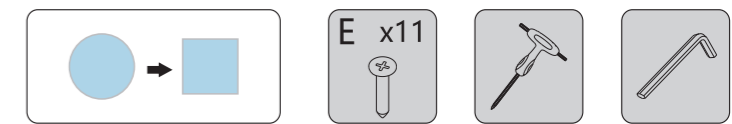
# 2 Adjust the length of the frame

a) Loosen the four screws shown ● and adjust the length of the crossbar  
 b) After confirmation, tighten the eight screws shown by ● and ■



**NOTE:**  
 Distance from the support plate to the edge of the table top not exceeding 7.87 inch.

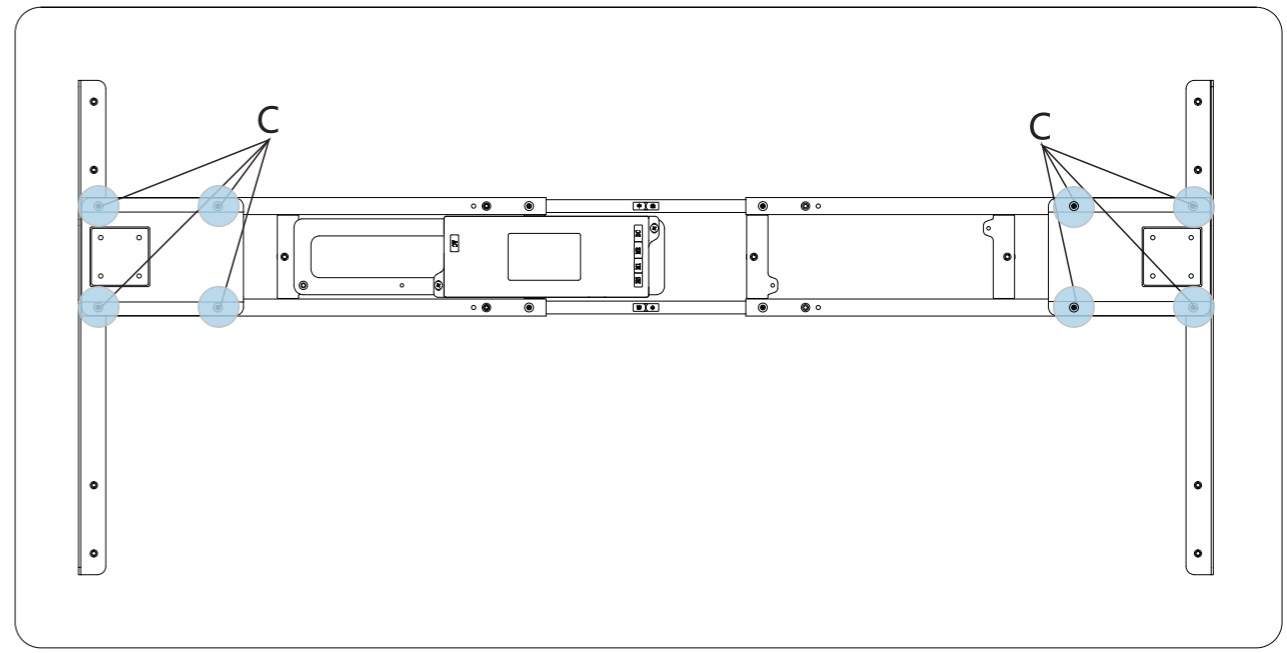
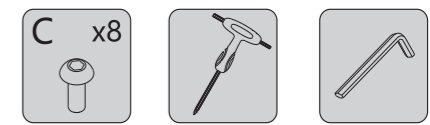
# 3 Affix the tabletop



**NOTE:**  
 Keep the centreline label centred when adjusting the crossbar.

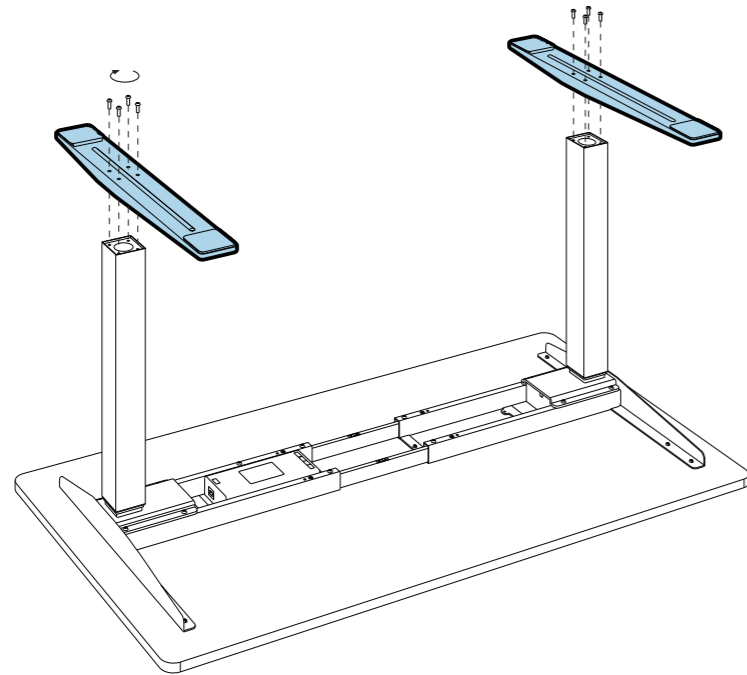
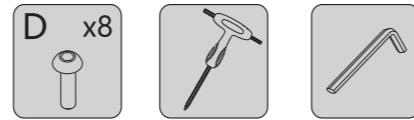
**NOTE:**  
 When the beam is stretched to the widest point, 11 screws need to be installed to fix the table, and 1 spare screw. Otherwise, only 10 screws need to be installed to fix the table, and 2 spare screws.

# 4 Install the leg columns

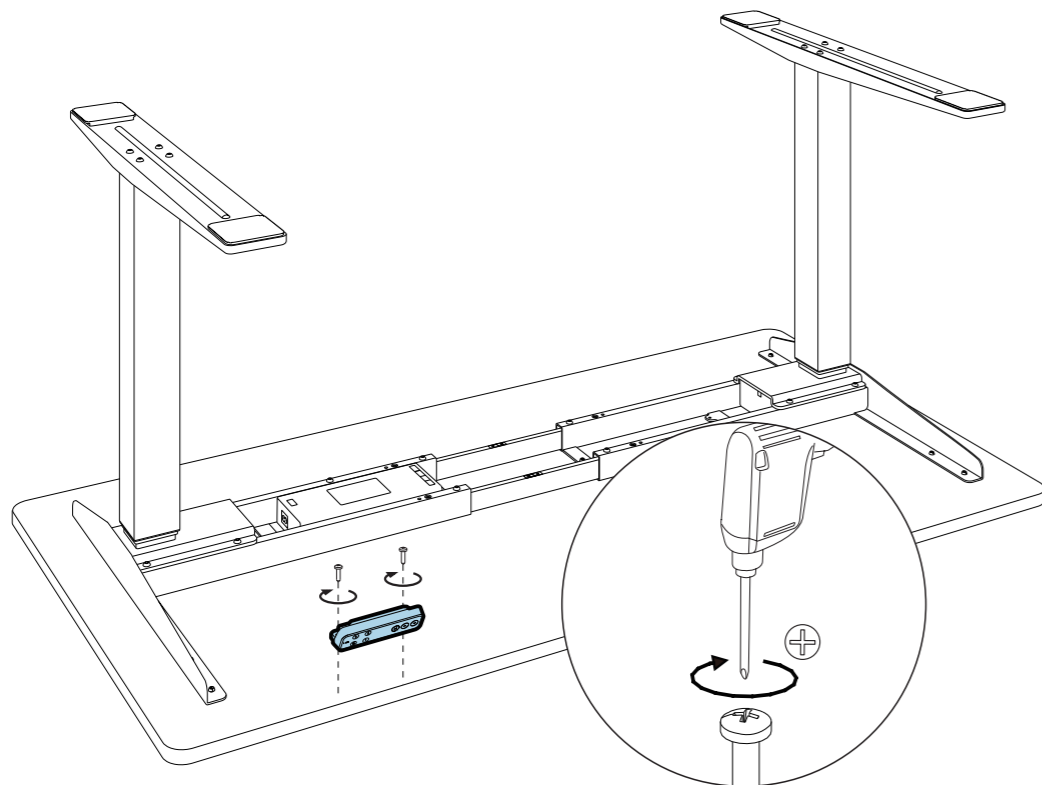
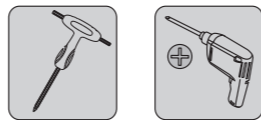


## 5 Attach the feet

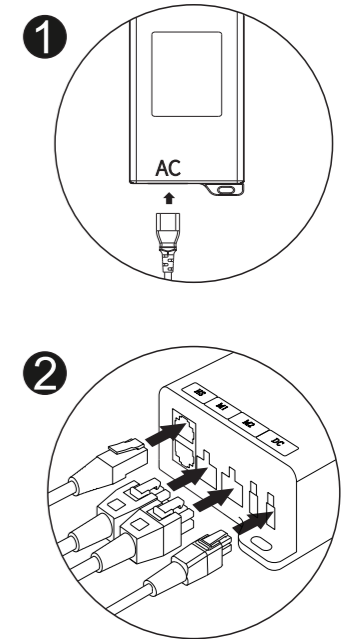
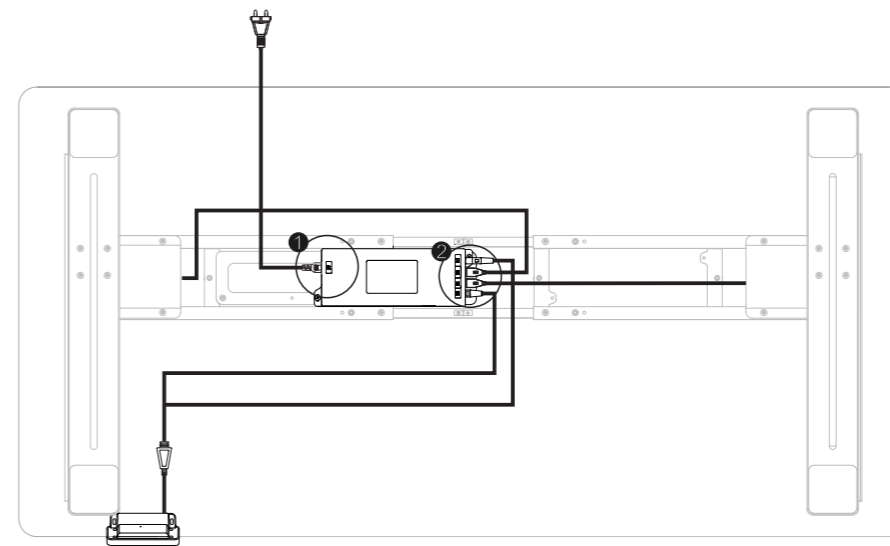
**NOTE:**  
Please note the orientation of the table legs when installing.



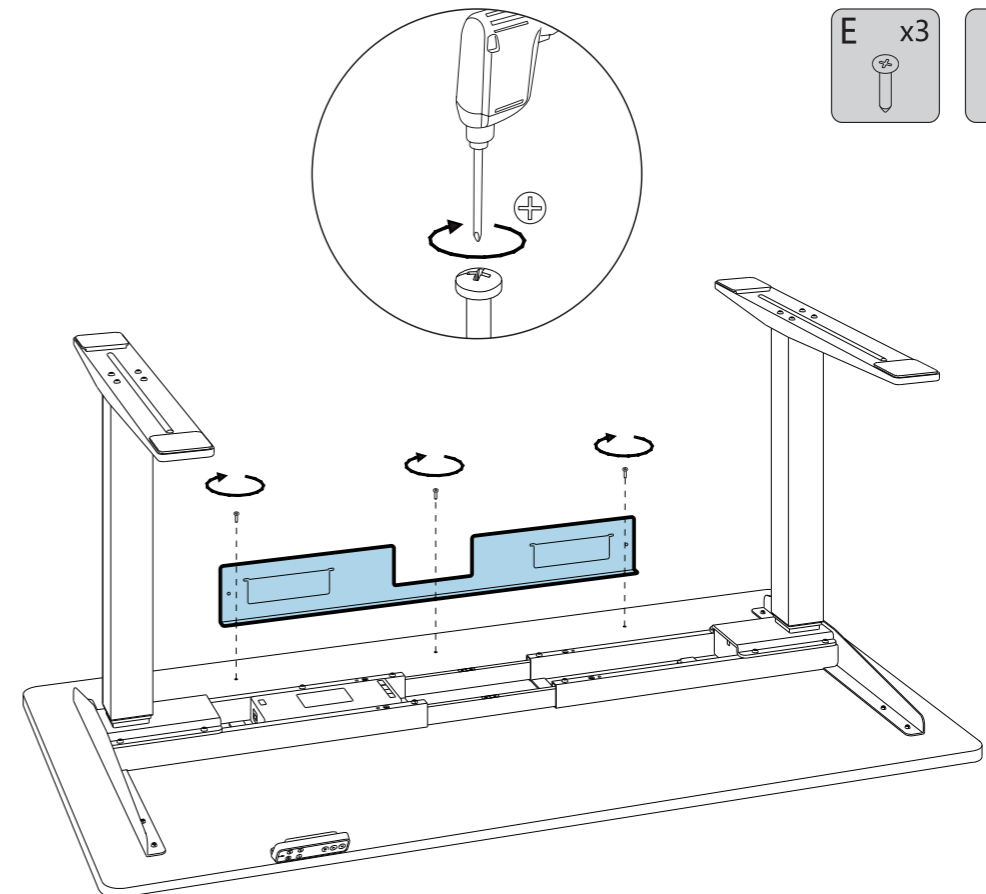
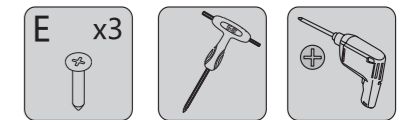
## 6 Fix the keypad



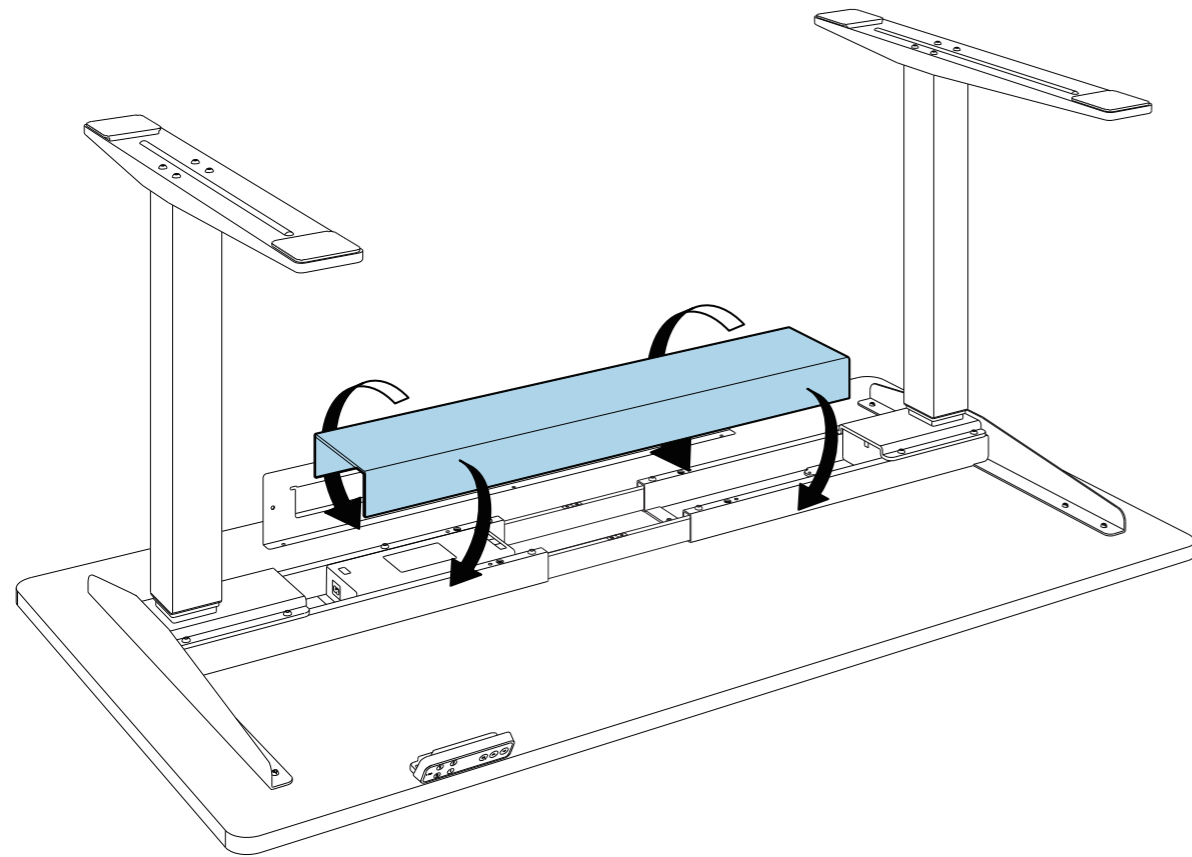
## 7 Connect the wires



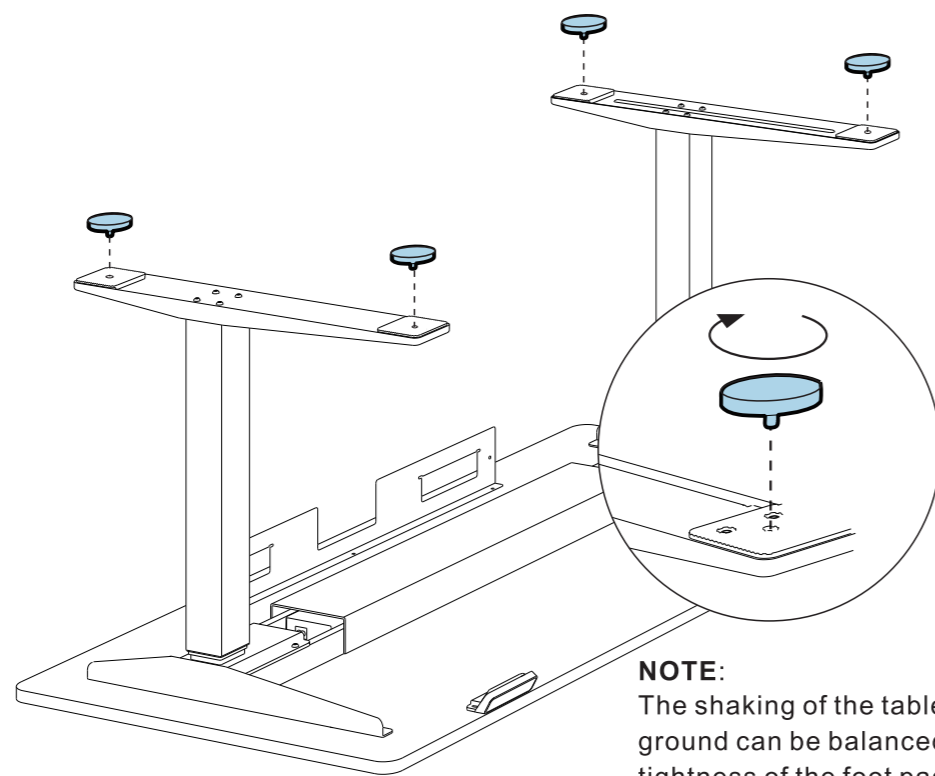
## 8 Attach the cable tray



## 9 Attach the cable tray

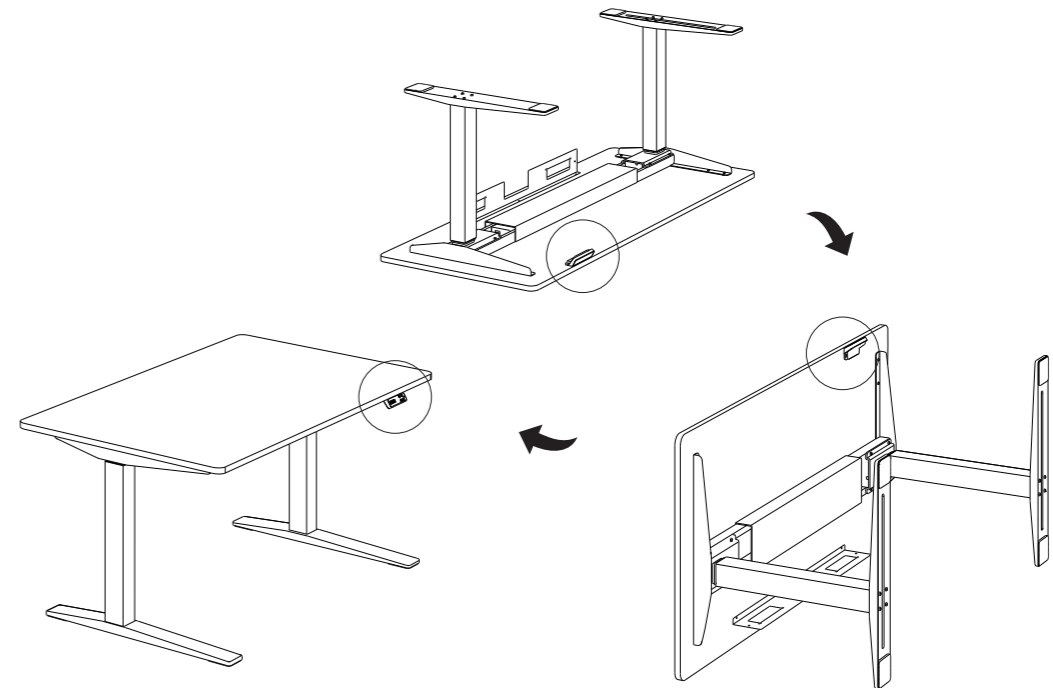


## 10 Adjust foot pads for balance

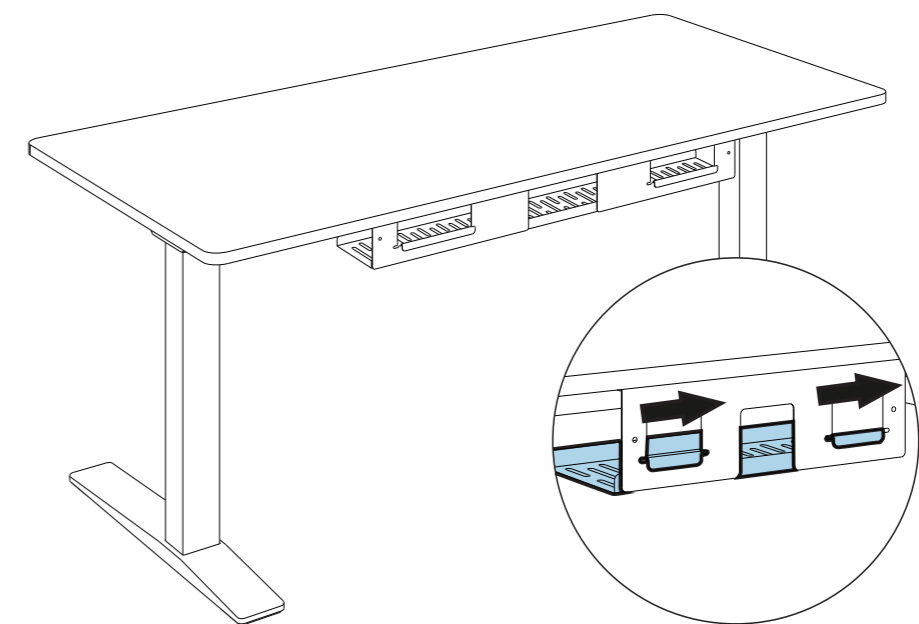


**NOTE:**  
The shaking of the table due to the uneven ground can be balanced by adjusting the tightness of the foot pads. This step is installed according to the situation.

## 11 Finished



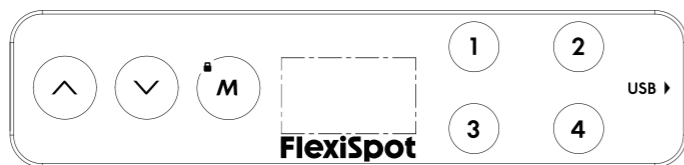
## 12



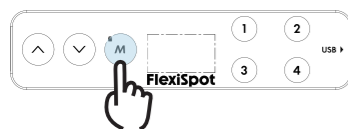
**NOTE:**  
Cable ties total length 2m, not disposable use product, when you need to tidy up the cable. When you need to tidy up the cable, cut it to a suitable length to The cable can be fixed by cutting out a suitable length.



# 13 Keypad User Guide



## • Child lock function:



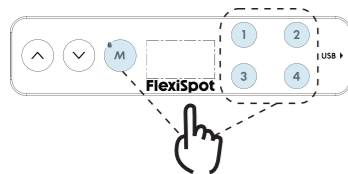
- When the child lock is turned on, the child lock blue indicator light ( V and M directly above) lights up.
- Press the button indicator to flash once.
- To unlock or start the child lock, you need to press and hold the M button for about 5 seconds.
- Only when the child lock is unlocked, all the buttons can work normally.

## • Height Adjustable Function:



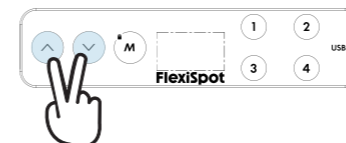
Press the "∧" or "∨" button to adjust the height. The LED display shows the current height.

## • Height Memory Function:



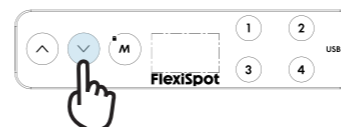
- Press UP or DOWN button and adjust the height to the desired height. Press "M" to save the height, and the screen will display "5- 1"; Press "1", "2", or "3", "4" then, that is, save the height to the corresponding position 1 or 2 3, or 4, which will show in the display screen as "5- 1", "5-2", or "5-3", or "5-4";
- Press "1", "2" and "3", "4" button directly to automatically adjust the memory height you saved.

## • Collision prevention sensitivity adjustment - optional features:



- Press and hold the "∧" "∨" button for 5 seconds at the same time to switch the sensitivity. There are four levels of sensitivity (A-3, A-2, A-1, A-0). Each operation will switch the sensitivity into the next level.
- The display shows "A-0", the anti-collision function is off; the display shows "A-1", low sensitivity; Display shows "A-2", medium sensitivity; display shows "A-3", high sensitivity;
- During height adjustment, when tabletop comes in contact with another object, it instantly stops and reverses to avoid damage.
- Press and hold the "∧" "∨" button for 5 seconds at the same time. If the display does not display the above code, there is no anti-collision function.

## • Troubleshooting:



- Reset: When the LED shows "R5f", press "∨" button until the desk reaches its lowest height and rebounds to stop, it means the reset has been finished.
- When it doesn't work and the LED shows "E01" or "E02", please retry 18 mins later.
- If the "∨" button doesn't work, please check the cable connection and then cut off the power for at least 10 seconds. Reconnect to the power and press "∨" button to start the reset process when it shows the "R5f".
- If all these above process are inefficient, plz contact our customer service.



## 14 Resolving Common Issues

The following tips will help you identify and correct common issues. If you encounter an issue not listed in the table below, or if you follow the instructions below and the issue is still not resolved, please contact your supplier. All such anomalies or errors can only be investigated and corrected by the manufacturer or specially trained personnel.

| Issue  | Solution   |
|--|--|
| Electronic functions are not working properly                | Verify cables are connected correctly                                    |
| Slow ascent  | Check whether the desk load is too heavy (over 440 kg)                   |
| Desktop slips during ascent                                  |  |
| Keypad often goes into reset state                           |  |
| Keypad often goes into reset state                           | Reset the desk   |
| Desk does not rise or lower the full distance                |  |
| Desk remains at lowest height                                |  |
| Desk motor has been running for more than 18 minutes         | Let the desk idle for 18 minutes with the power connected                |
| Press the down button and the device does not drop but rises | Check for obstructions under the table or if the harness is hanging down |

## 15 Attention

- Power supply: AC100V - 240V, frequency 50/60HZ;
- Working environment: 0 - 40°C;
- Before cleaning, you have to unplug the power supply cable. Clean with a slightly damp cloth to wipe away the surface dust. Keep all electrical components away from liquids. Do not damage the connection line and keep the plug in a safe position.
- Inside the control box, there are electronic components, metal parts, plastic parts, wires and so on. They should be disposed in accordance with the local laws and regulations. They cannot be disposed as household waste.
- Before using the product, please make sure the product has been installed correctly.
- Before starting use of the product, please read the instructions to fully understand all the product's functions and settings.
- Keep children away from electric height-adjustable desks, control units and handsets. Manufacturer is not responsible of any damages that result from children's unpredictable behaviour.
- Slight noise caused by the multi wedge belt or brake system will not impact the use of this product.
- Do not use corrosive or abrasive materials to clean this product and please dispose of cleaning solutions in an environmentally friendly manner.
- Understand the risks associated with using this product. Children or those with cognitive impairment should not use this product without supervision.
- If the power supply cord is damaged or broken, it must be replaced by the manufacturer or a relevant specialist to avoid any injuries.
- Please operate in a clean and safe environment. For example, do not left around your tools. And always be careful to deal with packaging materials, in order to avoid any kinds of possible danger. Potential choking risk exists when children play with plastic bags!
- If necessary, retain the original package for future transportation.

## 16 Recycling and Disposal

This product cannot be disposed of as household waste. To prevent damage to the environment, this product should be recycled. Please use the relevant recycling systems available to you or contract the distributor or manufacturer for recycling assistance.