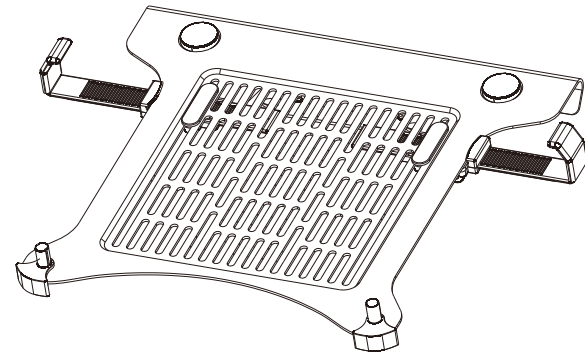


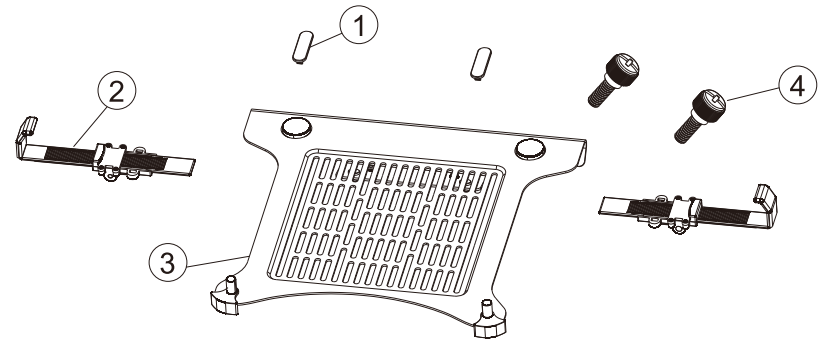
Item No. LH1

Installation Guide



Package Included

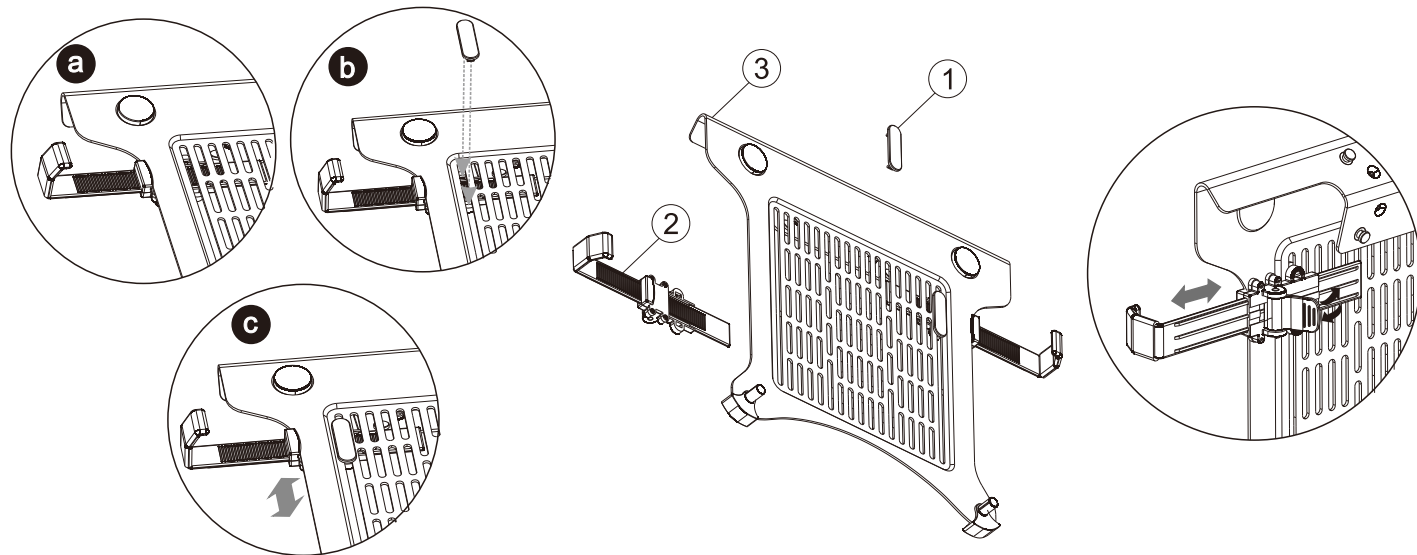
Parts Included



- ① Buckle (2PCS)
- ② Assembly (2PCS)
- ③ Laptop tray (1PC)
- ④ M4x12 screw (2PCS)

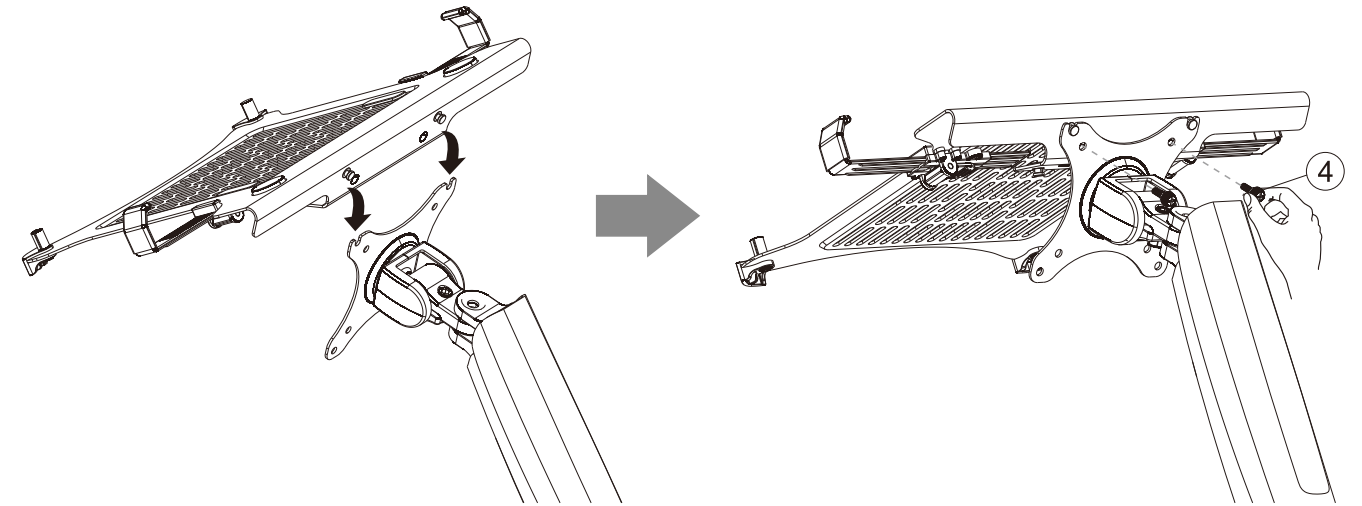
Installation Steps

STEP 1: Attaching laptop plate



STEP 2 - Option A: Attaching laptop plate to the plate

Installation way 1:



STEP 2 - Option B: Attach laptop plate to arm

Installation way 2:

