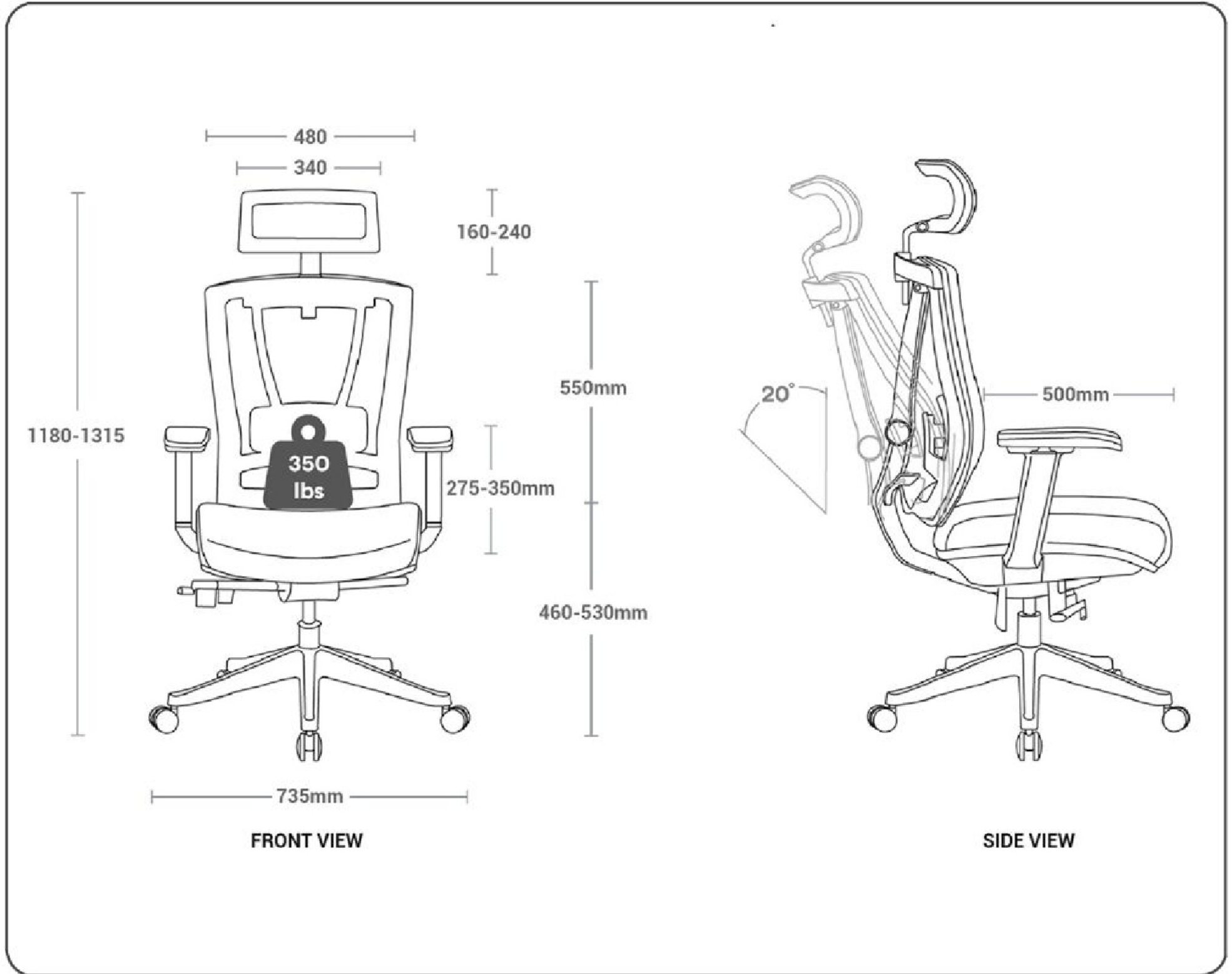



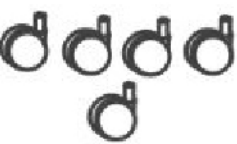
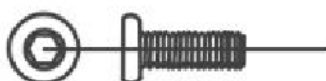
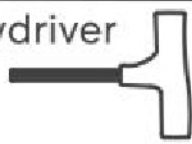


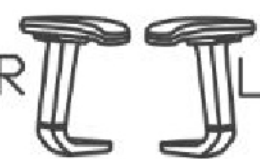









OVERALL SIZE

UNIT:MM

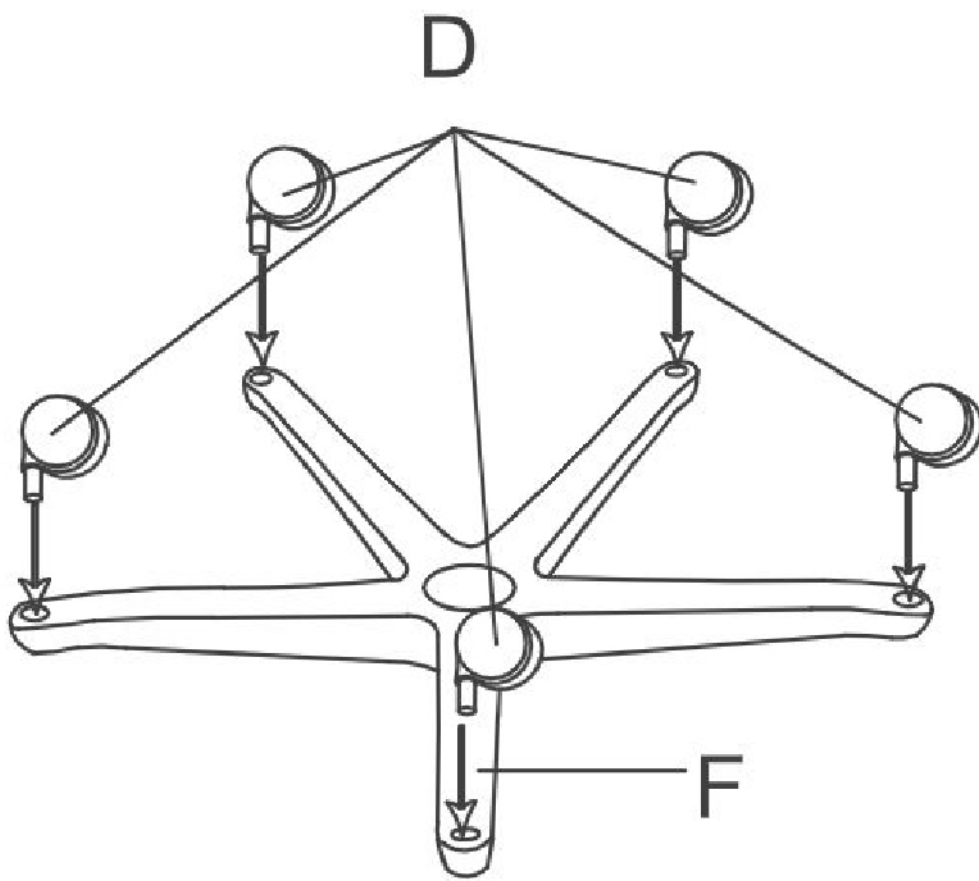


PARTS LIST

(A) Backrest 	(B) Headrest 	(C) Seat 	(D) x 5 Castors 	IX4 Bolt (M8*25MM) 	MX1 Screwdriver 
(E) Gas lift 	(F) Base 	(G) Armrest 	(H) Control Mechanism 	JX3 Bolt (M6*22MM) 	NX7 Washer (Ø6*14*1.5MM) 
				KX7 Bolt (M6*35MM) 	OX8 Washer (Ø8*17*1.5MM) 
				LX5 Bolt (M8*60MM) 	PX8 Spring lock washer (M8) 

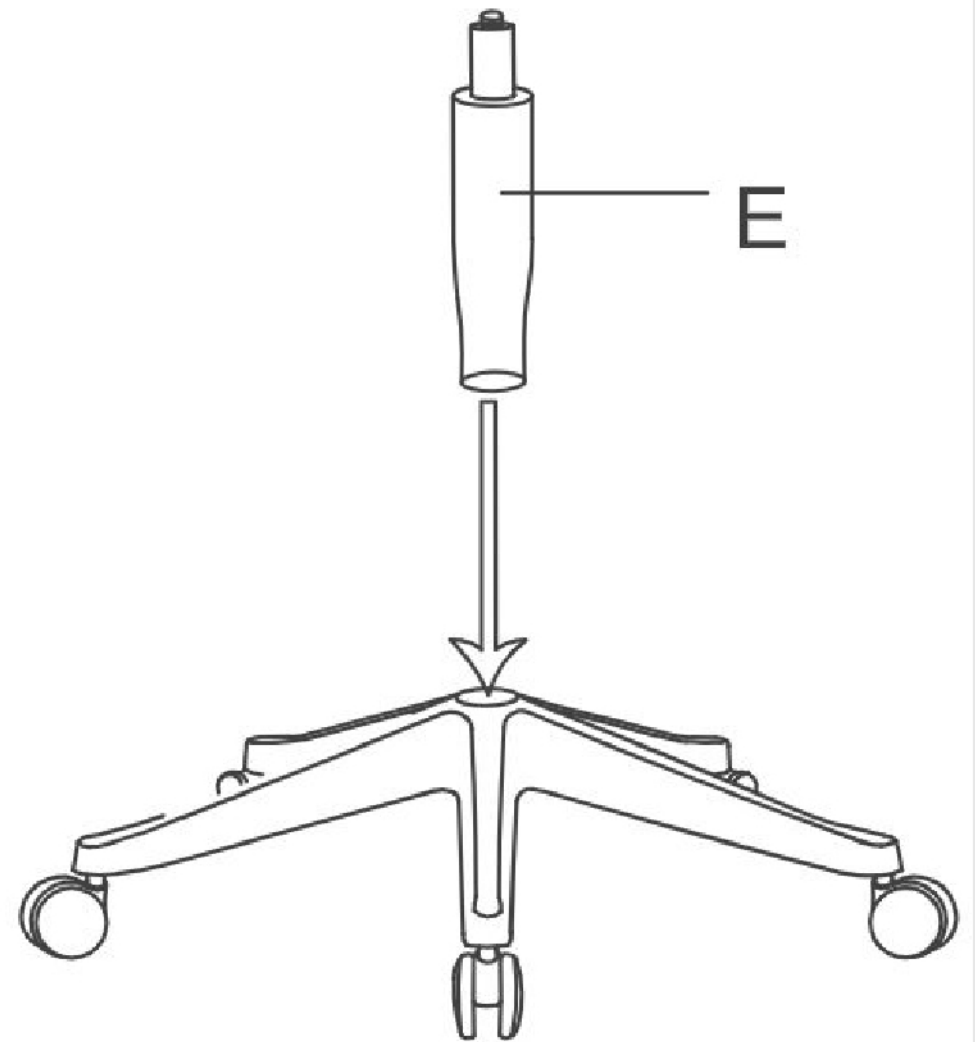
Step 1

Flip the base upside down and insert the castors into the base.



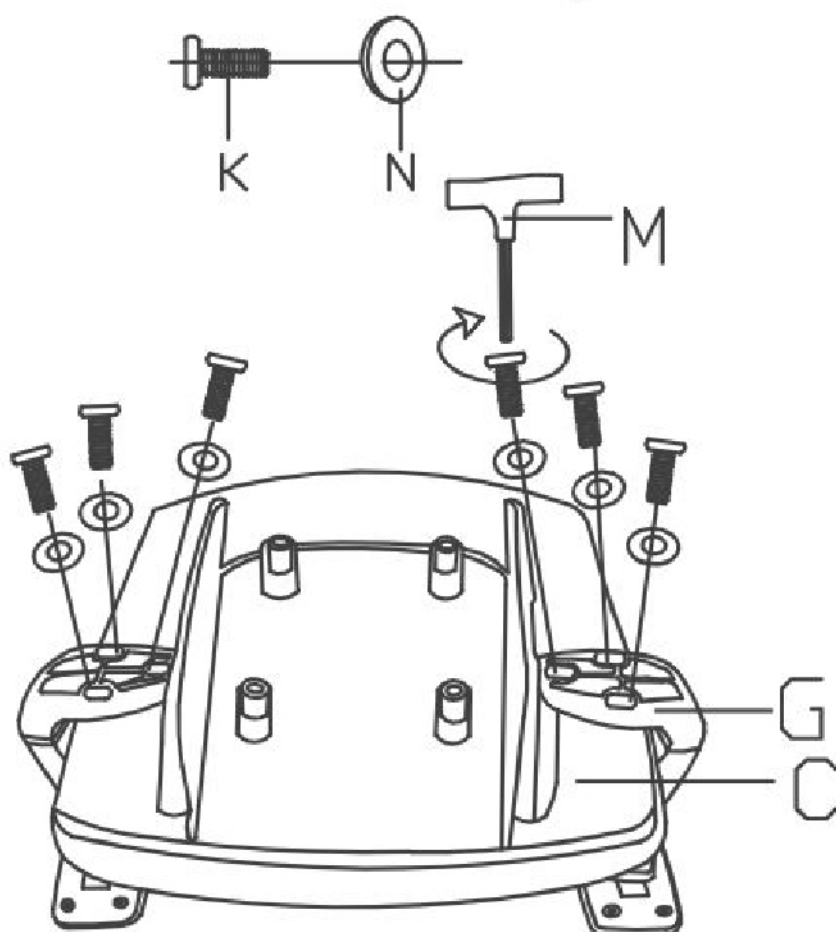
Step 2

Insert the gas lift in to the base.



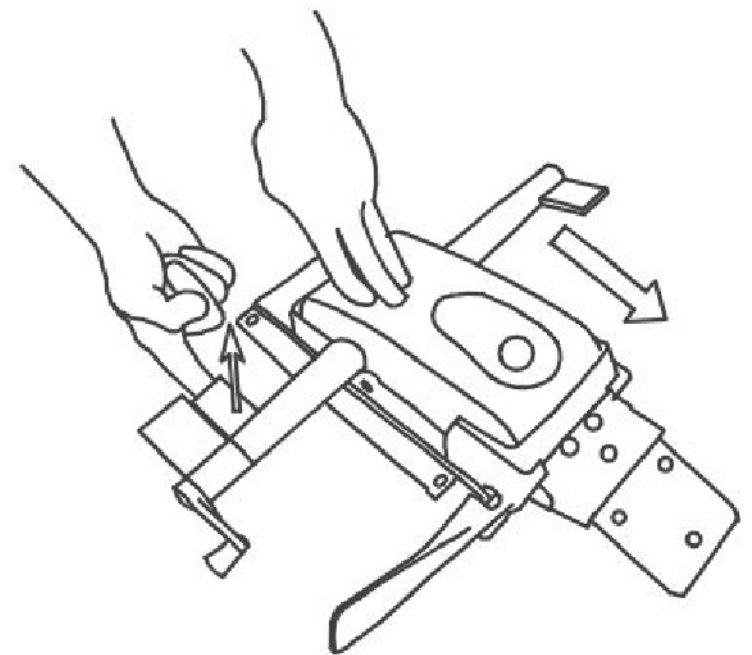
Step 3

Tighten the aligned bolts and washers into holes on the base using a screwdriver.



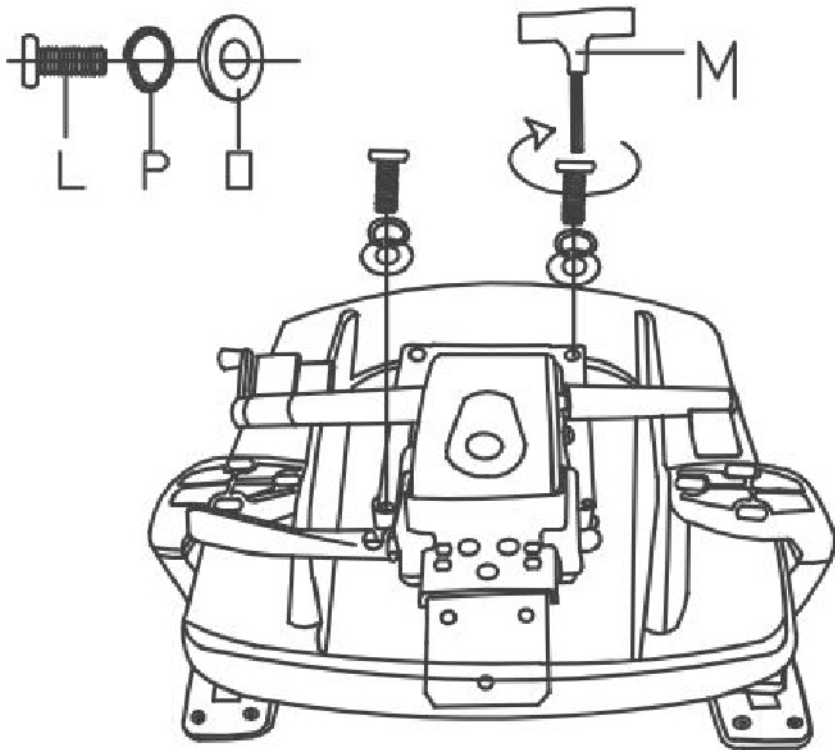
Step 4

Place the control mechanism on to the assembly. Push it in to place following the direction of the arrow in the manner shown below.



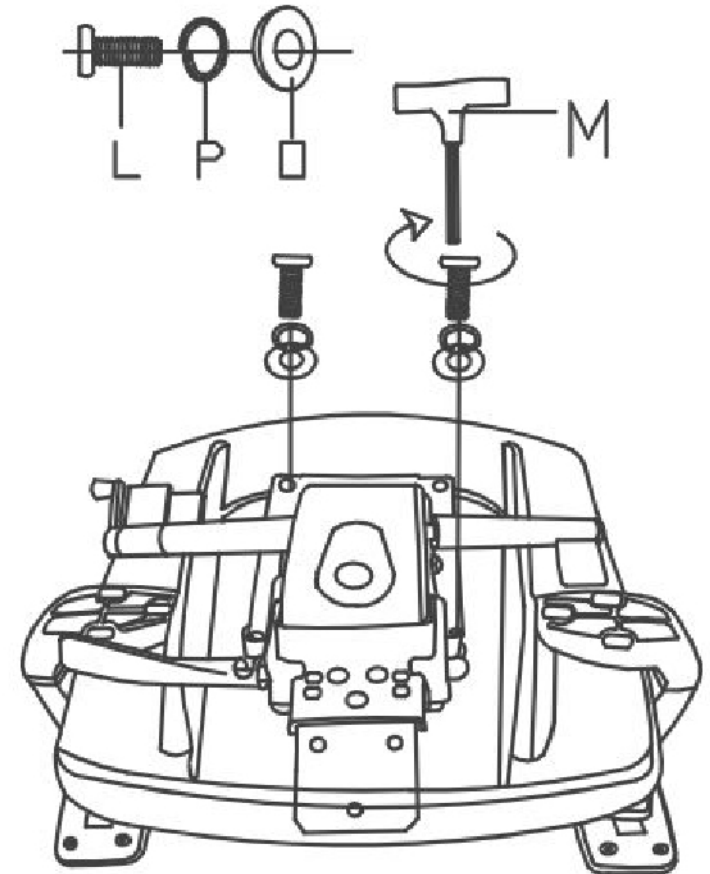
Step 5

Align and tighten the bolts, spring lock washers and washers into holes on the base using a screwdriver.



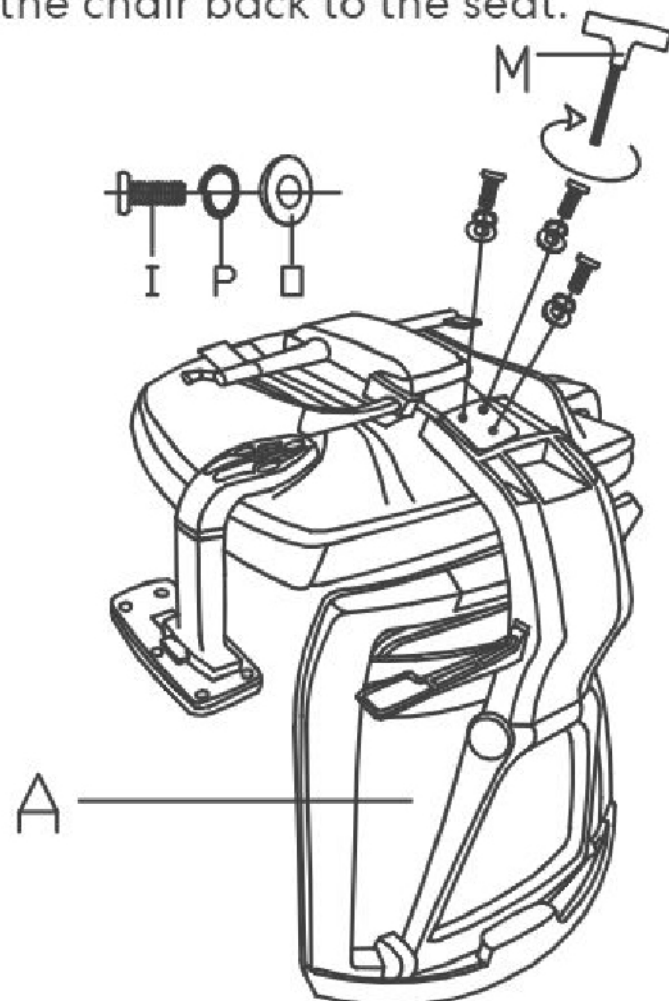
Step 6

Place two bolts and corresponding washers into the chair and tighten.



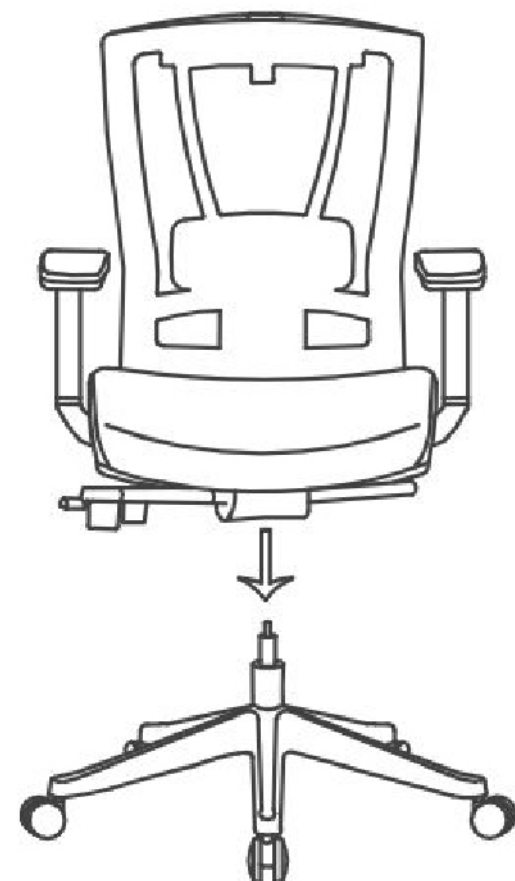
Step 7

Place three screws and corresponding washers at the points shown below to bind the chair back to the seat.



Step 8

Lower the seat on to the gas lift.



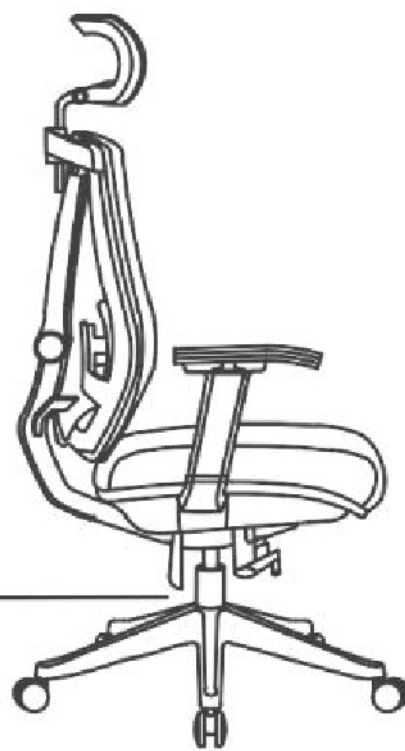
Step 9

Place the headrest at the top of the seat back.

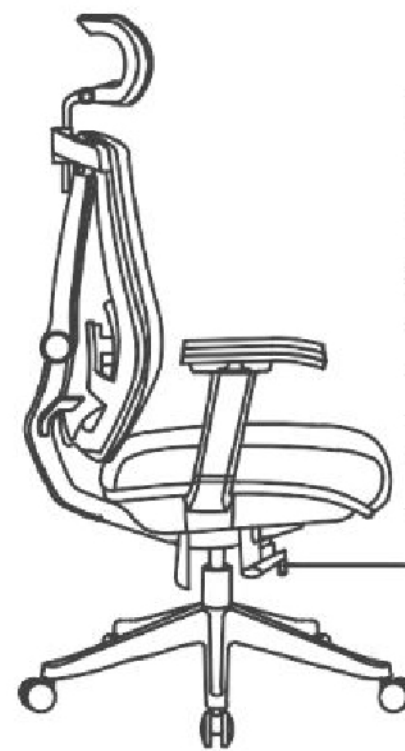


Function Guide

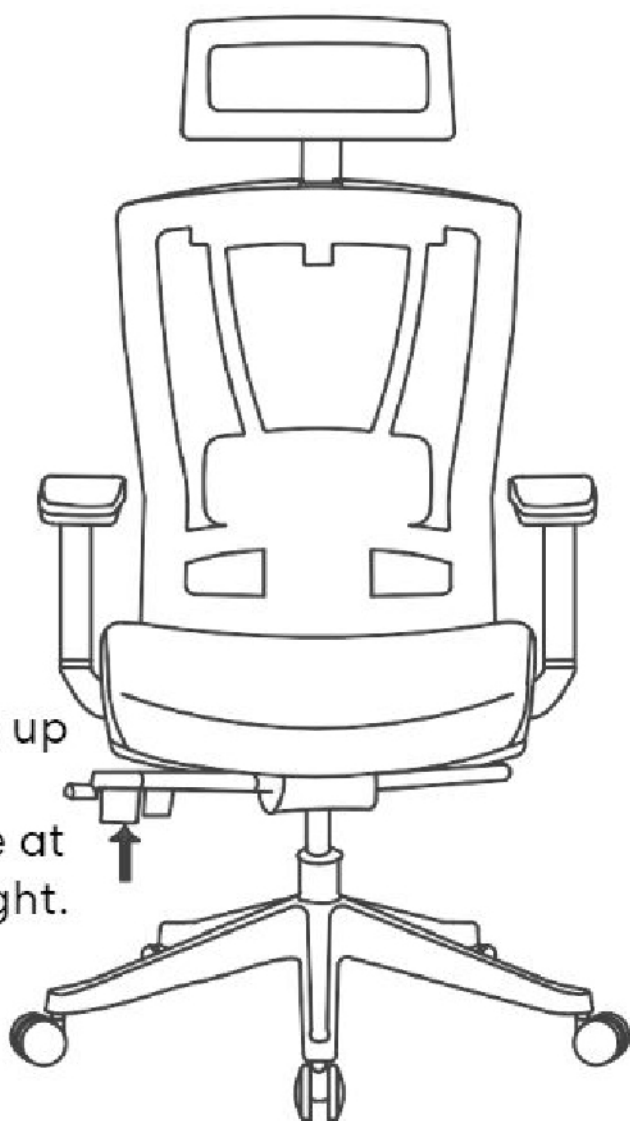
Flip the handle clockwise to activate the seat tilt function. Lock in to the preferred seat position by flipping the handle counter-clockwise.



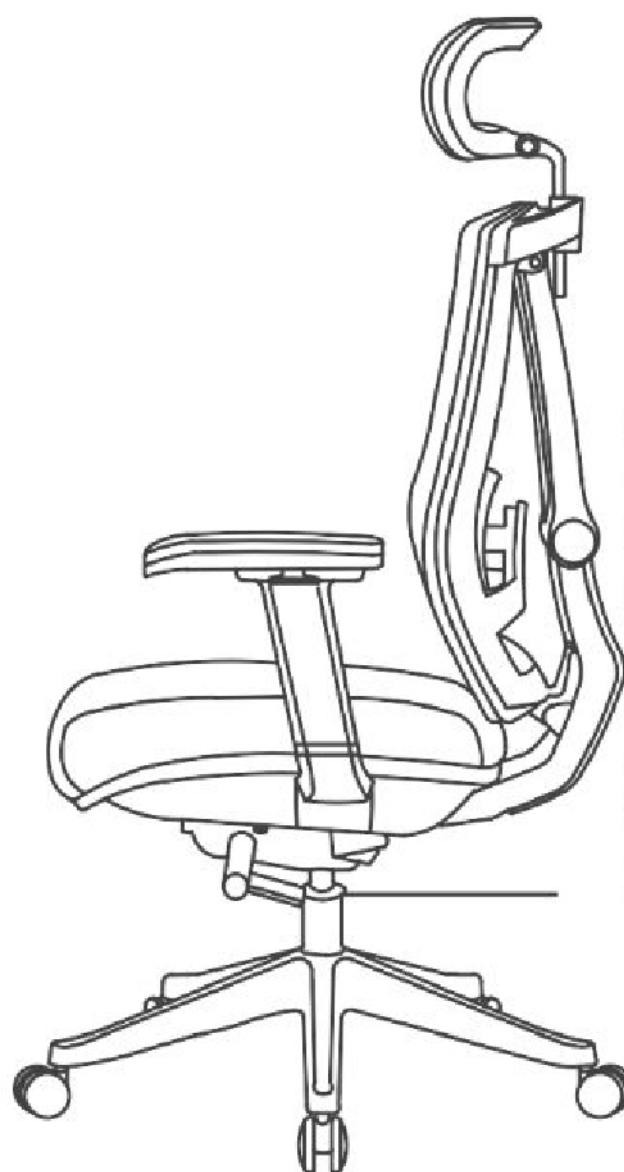
Rotate the handle clockwise to increase the back tilt tension. To decrease the back tilt tension, rotate the handle counter-clockwise.



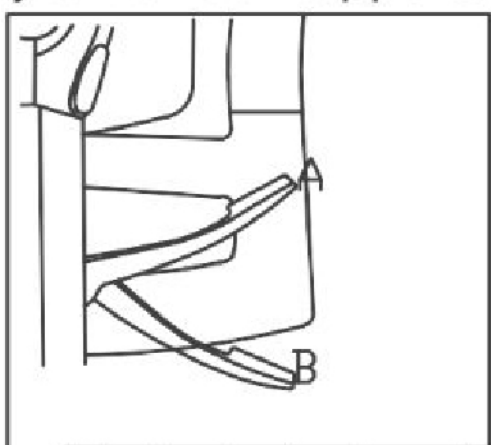
Pull the handle up to adjust seat height. Release at the proper height.



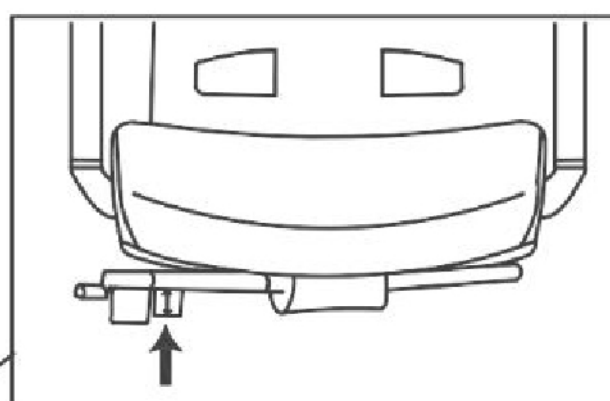
Push the handle down to activate the back tilt function. Recline on the back of the chair until you reach the preferred angle. Pull the handle up to lock position.



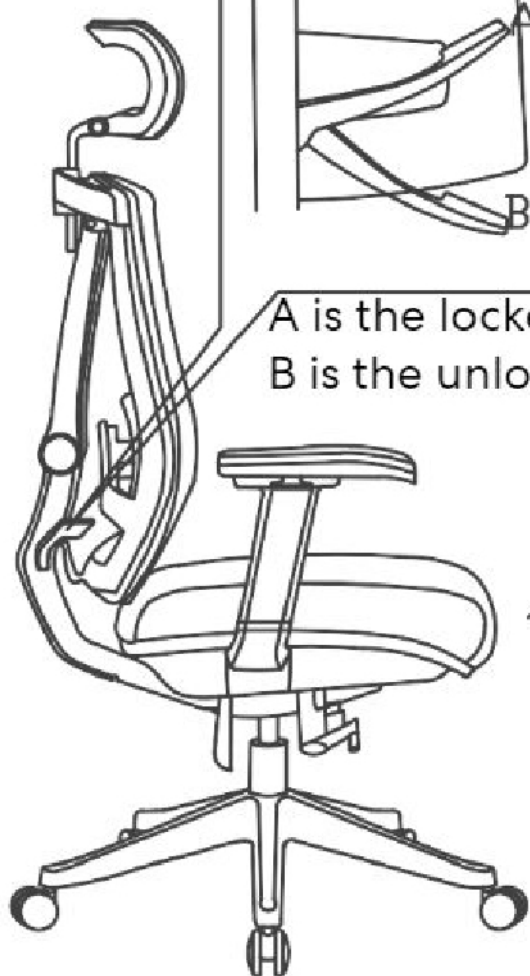
This lever is to adjust your lumbar support.



A is the locked position.
B is the unlocked position.



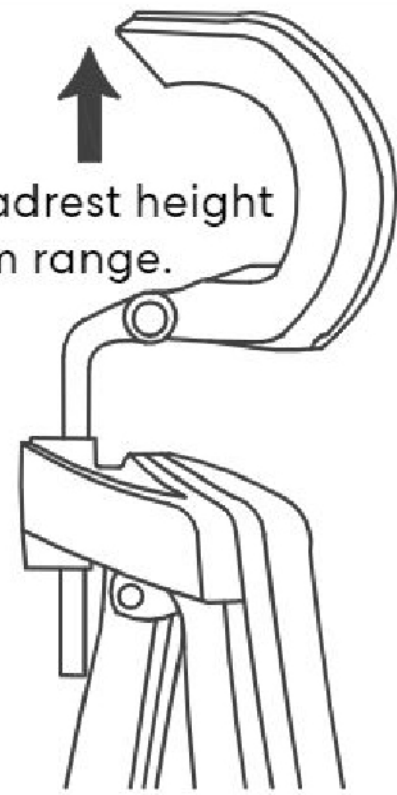
Push the handle up to move the seat forward up to 60 mm. Release to lock.



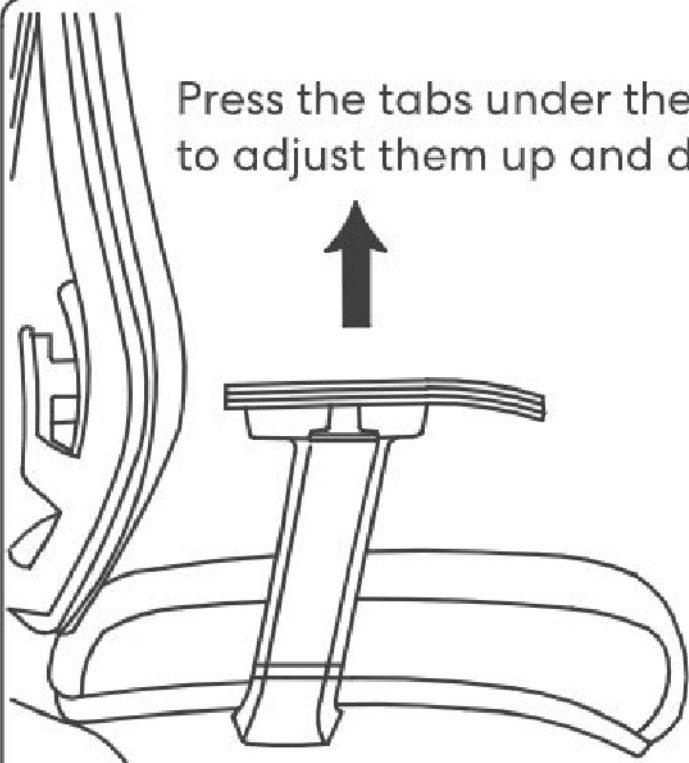
Adjust the headrest angle up to 45 degrees.



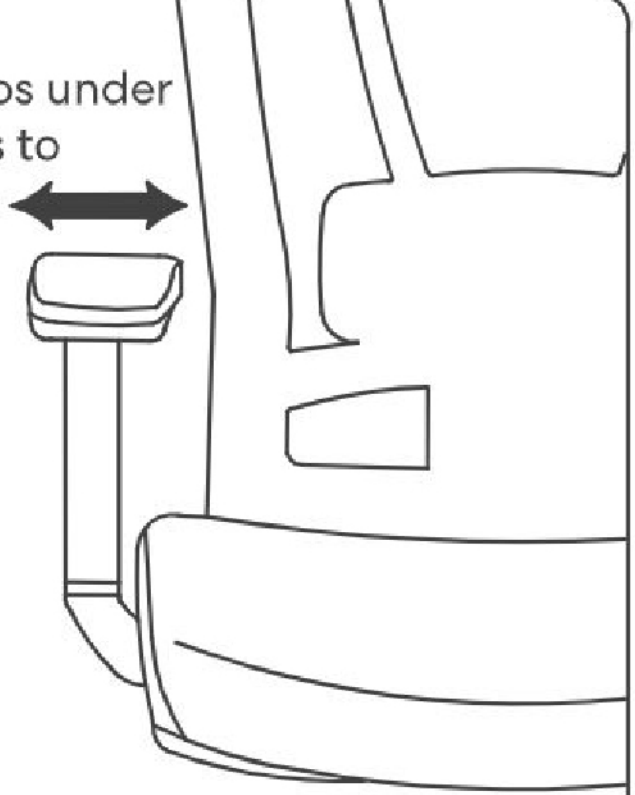
Adjust the headrest height within a 70mm range.



Press the tabs under the armrests to adjust them up and down.



Press the tabs under the armrests to move them in and out.



WARNING

Failure to follow these instructions may result in serious injury.

1. This product is for sitting only. Do not stand on the seat.
2. Do not use this product unless all bolts and parts are firmly tightened.
3. If any parts are missing, damaged or worn, repair the product with the replacement parts from manufacturer.
4. Do not sit on the armrest of this product.
5. This product is designed to seat only one person at a time.
6. Children under 10 may require assistance and supervision to use this product.